

gorenje
Life Simplified



BUILT-IN APPLIANCES

2017/18



QUALITY AND TRADITION

Gorenje has been producing high-quality home appliances for over 60 years. It is committed to the development of own technologies and to continuous improvement of its production processes. Drawing on Slovenian tradition and European values, Gorenje remains among the leading home appliance manufacturers in Europe. We are proud of every product that leaves our factories as we are aware that it was produced and tested to meet the stringent European environment protection standards.





OVENS

Built-in single ovens
Built-in double ovens
Built-in microwave ovens
Built-in coffee machine
Warming drawers

4



HOBS

Induction hobs
Ceramic hobs
Gas hobs

32



HOODS

48



COOLING

Built-in fridge freezers
Built-in refrigerators
Built-in freezers

64



WASHING

Built-in dishwashers
Built-in washing machine
Built-in washer dryer

80



DESIGN LINES

Ora Ito
Classico
Simplicity
Karim Rashid

88



PRODUCT INFORMATION

Technical drawings
Symbol description
Aftersales support

120

PERSONAL FACTORY OF PERFECT TASTE

Ovens

Every Gorenje oven is a little wonder factory. A thousand physical processes take place in it, all controlled and perfectly coordinated to the end result - delicious food. Years of ambitious research into the physics behind baking, roasting and steaming have led to a wide range of features and functions that offer a unique cooking experience. These ovens are helpful personal assistants with a talent for details: an innovative shape that distributes hot air evenly, a monitoring device that cooks meat to perfection, a steaming tool that brings in just enough moisture. There are many interesting configurations to choose from, all of which are exceptionally user-friendly.







HomeMade shape

All the qualities of baking in wood-burning ovens

The characteristic rounded shape is one of the most beneficial features of Gorenje ovens. Inspired by traditional wood-burning ovens, it enables hot air to move around freely. Since the food is heated evenly and from all sides, it is always perfectly done:

crispy on the outside and juicy on the inside. Combined with the MultiFlow 360° ventilation system, it makes baking on all 5 levels possible.



MultiFlow 360°

All sides are good sides

MultiFlow 360° guarantees the optimal circulation of heat within the oven. Due to smartly positioned ventilation openings on the back wall and the unique round shape, air is spread evenly throughout the oven. The fan pushes hot air around the entire oven volume, making the food perfectly baked on all sides. The dynamic air movement allows simultaneous baking on many levels without smells and flavours mixing together.



Multi-level baking

Many dishes in one go

Combination of MultiFlow 360° and HomeMade shape helps reach the toughest objective: preparing five trays of dishes at once. The good news is: the flavors and smells don't mix. Smart air distribution ensures that the food is evenly baked on every level. Since the oven volume is larger, the overview is excellent as well. Superior models enable arranging the baking trays on five different levels.



AutoProgrammes

Select, touch, done

Gorenje ovens provide fully automatic cooking programme with over 80 recipes to choose from, ideal for beginners. The secret of auto mode is quite simple – all the parameters such as time, temperature, heat, are automatically set. All that the user needs to do is choose the dish type and weight and press start. The oven will do the rest.



Step by step

Perfect food in 2, 3 or more steps

Cooking in phases is achieved by manually programming the many steps of the baking process. Throughout all the steps of the automatic cooking process there is no need to change the settings manually. It is also ideal for more experienced users and for dishes like bread and lasagne, which need temperature changes.

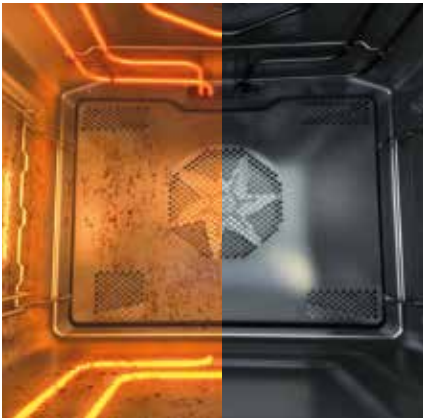


SilverMatte

Ultra resistant, ultra smooth coating

Enamel quality and type are exceptionally important for the oven and its operation. SilverMatte is a highly resistant and strong material that can stand extreme heats, even pyrolytic cleaning at 500 °C. Free from micro pores, it coats oven surfaces and

baking trays, making them resistant to the highest temperatures, microwaves and steam. The triple coating of the interior supports heat reflection and provides additional insulation. Therefore, the oven interior always stays sterile and safe.



PyroClean

Premium self-cleaning function

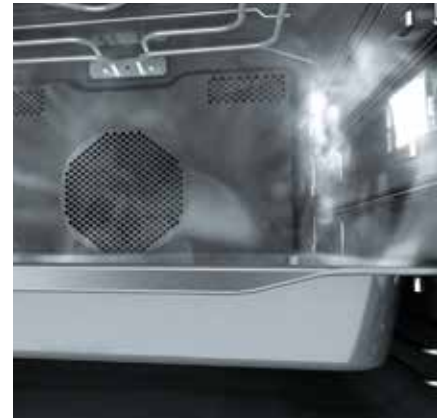
Pyrolytic cleaning is the most efficient and advanced way to clean an oven. The high cleaning temperature of up to 500°C leaves the oven completely clean, without a spot of grease. Gentle cleaning is over in 90 minutes, medium intensity cleaning ends in 120 minutes, while very intensive cleaning takes only 150 minutes where the effect is according to the duration. At the end, only the leftovers need to be wiped away. The oven is locked during and immediately after the cleaning process, which makes it family-friendly.



CataClean

A surface that stands no grease

Catalytic cleaning represents a great assistance in oven maintenance. When the oven reaches 85°C or more during the baking process, catalytic panels automatically start absorbing the grease and impurities.



AquaClean

Simple, casual cleaning

Due to completely new enamel in all lines of new Gorenje ovens, AquaClean function has been significantly improved. AquaClean offers great assistance in cleaning of the oven cavity. All it takes is to pour half a litre of water into a baking tray and turn AquaClean on after each baking. In just 30 minutes, the results are visible on the entire surface and the baking trays. Stains and grease are softened and can be wiped away more easily and the oven stays spotless.



BigSpace

More space for greater cooking freedom

The new generation of Gorenje ovens conceals a shape within the upper part. Now the optimised airflow circulates inside at an even greater volume, circling completely freely. The increased capacity allows preparation of larger baking trays and larger quantities of food, while their outside dimensions remain the same. Instead of the previous 3, the Superior oven now enables using 5 levels at the same time. Capacities range up to 73l in standard ovens and up to 50l in microwave ovens, which is amongst the largest available on the market.



GentleClose

Super easy and super silent

Only a soft touch is needed to close the oven door smoothly, without any noise.



Dehydration

Great food, always at hand

Dried fruit, vegetables, herbs and meat can be easily prepared at home. Dehydration is possible on up to 5 levels at the same time, which saves time and energy.



Yoghurt

A simple way to healthy stuff

A special function enables healthy yoghurt to be prepared at home. Automatic temperature and time settings provide optimal conditions that create homemade yoghurt in around 3 hours.





DC+ System

The DynamiCooling system efficiently cools the oven exterior (or housing) to prevent any damage caused by high temperature. In ovens with the DynamiCooling+ system, the heat sensors regulate the cooling of the oven exterior walls until they reach a temperature of 60 °C. This is particularly convenient in ovens with the pyrolytic cleaning function which works with extremely high temperatures.



UltraCoolDoor

Special triple or even quadruple glazing isolates the oven, making it even safer for children and pets. The heat is kept inside, optimising energy consumption by stopping heat escaping from the oven.



SuperSize

More spacious ovens allow you to cook a larger quantity of food – not only because of even air circulation at all levels, but also because of the 46cm wide baking trays in both standard and compact ovens. Innovative solutions allow a larger interior and the oven width is fully used. There is more space on each baking tray and the superior technology makes sure the food is cooked evenly on all levels.



TelescopicGuides

Smooth running telescopic guides provide a perfect overview of the process on all levels. This means safer and easier removal and cleaning. Gorenje ovens feature fully pulled out guides on three levels in Superior line. During the pyrolytic cleaning, they should be removed from the oven.



PerfectGrill

The best baking results are achieved with a combination of larger and smaller heaters, where the latter is positioned inside the larger one. The smart positioning of the grill allows optimal heat distribution and provides the ultimate baking results every time, so food is crispy on the outside and soft on the inside. A variable grill combination can use either the inner or outer heater, or both at once. In advanced models, the heater is movable for easier cleaning and maintenance.



AutoRoast

The AutoRoast function first heats the oven to 230°C. The food is roasted for 30 minutes and then the temperature drops to the set level. A smart combination of time and temperature creates ideal roasting conditions. As a result, meat is crispy and well done on the outside and perfectly soft and tender on the inside.



MeatProbe

By controlling the temperature inside the meat, the MeatProbe manages the entire process and even activates the alarm when the time is right.



TouchFree coating

All stainless steel surfaces are coated with a special TouchFree film that prevents fingerprints markings, leaving the surface always shiny and making cleaning much easier.



FastPreheat

The oven reaches a temperature of up to 200°C in just 6 minutes, saving 30 % of the time needed by standard preheating. This comes in handy for recipes that require a preheated oven. A light and sound signal informs when the temperature is right.



SlowBake

SlowBake bakes food at low temperatures for up to 6 hours. Due to the long preparation periods, meat and fish are softened but retain their juiciness, aroma and nutrients.

Different layouts and combinations



BO 547 S10X & WD 1410 X

Matching design

The Gorenje Superior line of 60cm ovens, 45cm compact ovens and coffee machine are designed to allow a number of different layouts and combinations. Regardless of whether the appliances are fitted in a column, in a row, square, or in a T-shape, they will endow your kitchen with a new sense of harmony and offer total alignment of the fascia panels and handles between all of the "Superior Range" models.



gorenje

gorenje

CMA 9200 UX & WD 1410 X

BCM 547 S12X & WD 1410 X



BOP 747 S32X
BCM 547 S12X & WD 1410 X



BOP 747 S32X
BCM 547 S12X & WD 1410 X
BO 747 S30X
CMA 9200 UX & WD 1410 X



BOP 747 S32X
BO 747 S30X
CMA 9200 UX & WD 1410 X
BCM 547 S12X & WD 1410 X



AUTO programs



AUTO programs

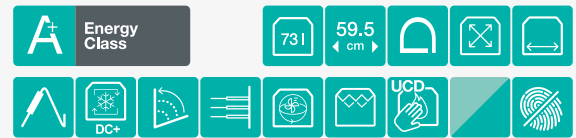
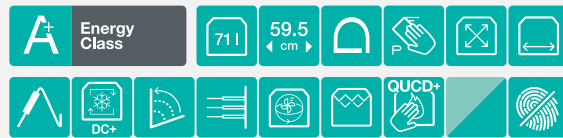


BOP 799 S51X
Built-in pyrolytic single oven

Superior Line

BO 799 S50X
Built-in single oven

Superior Line



- Colour: Stainless steel
- Handle colour: Stainless steel
- Control panel material: Glass and stainless steel
- GentleClose door hinge

- Colour: Stainless steel
- Handle colour: Stainless steel
- Control panel material: Glass and stainless steel
- GentleClose door hinge

Efficiency	<ul style="list-style-type: none"> - Multisystem oven BigSpace - 71 l - SuperSize baking area - HomeMADE® modelled on traditional wood-fired bread oven - PerfectGrill 	<ul style="list-style-type: none"> - Multisystem oven BigSpace - 73 l - SuperSize baking area - Surface of the largest baking pan: 1316 cm² - HomeMADE® modelled on traditional wood-fired bread oven - PerfectGrill
Control	<ul style="list-style-type: none"> - Electronic control - HomeChef, electronic programme module - Auto programme 	<ul style="list-style-type: none"> - Electronic control - HomeChef, electronic programme module - Auto programme
Heating types		
Features	<ul style="list-style-type: none"> - Step by Step // Double lightning // Baking on different levels at the same time // MultiFlow 360° 	<ul style="list-style-type: none"> - Step by Step // Double lightning // Baking on different levels at the same time // MultiFlow 360°
Equipment	<ul style="list-style-type: none"> - 1 Deep enameled pyrolytic pan // 2 Shallow enameled baking pans - 1 Glass baking pan // 1 Wire shelf - 1 Meat probe - Pyrolytic wire oven guides - Fully extendable telescopic oven guides – 3 levels 	<ul style="list-style-type: none"> - 1 Deep enameled baking pan - 2 Shallow enameled baking pans - 1 Glass baking pan // 1 Wire shelf - 1 Meat probe - Fully extendable telescopic oven guides – 3 levels
Safety	<ul style="list-style-type: none"> - Thermoelectric fuse - Dynamic oven cooling plus - DC+ - Quadruple glazed oven door with double heat deflector (UltraCoolDoorQuadro+) - Mechanic door safety bolt 	<ul style="list-style-type: none"> - Thermoelectric fuse - Dynamic oven cooling plus - DC+ - Triple glazed oven door with double heat deflector (UltraCoolDoor) - Mechanic door safety bolt
EasyCleaning	<ul style="list-style-type: none"> - Pyrolytic cleaning - SilverMatte (easy clean enamel surface) - TouchFree Inox - Smooth oven door surface 	<ul style="list-style-type: none"> - AquaClean function - SilverMatte (easy clean enamel surface) - TouchFree Inox - Smooth oven door surface
Technical data	<ul style="list-style-type: none"> - Energy consumption: 0.69 kWh (venting), 0.94 kWh (conventional) - Connected load: 3400 W - Product dimensions (HxWxD): 59.5 × 59.5 × 54.6 cm - Niche dimensions (HxWxD): 59 × 56.4 × 55 cm - EAN code: 3838942050602 - Product code: 498530 	<ul style="list-style-type: none"> - Energy consumption: 0.70 kWh (venting), 0.94 kWh (conventional) - Connected load: 3400 W - Product dimensions (HxWxD): 59.5 × 59.5 × 54.6 cm - Niche dimensions (HxWxD): 59 × 56 × 55 cm - EAN code: 3838942050596 - Product code: 498529

2
YEAR
WARRANTY

BOP 747 S32X

Built-in pyrolytic single oven

Superior Line



- Colour: Stainless steel
- Handle colour: Stainless steel
- Control panel material: Glass and stainless steel
- GentleClose door hinge

2
YEAR
WARRANTY

BO 747 S30X

Built-in single oven

Superior Line



- Colour: Stainless steel
- Handle colour: Stainless steel
- Control panel material: Glass and stainless steel
- GentleClose door hinge

Efficiency	<ul style="list-style-type: none"> - Multisystem oven BigSpace - 71 l - SuperSize baking area - Surface of the largest baking pan: 1316 cm² - HomeMADE® modelled on traditional wood-fired bread oven - PerfectGrill 	<ul style="list-style-type: none"> - Multisystem oven BigSpace - 73 l - SuperSize baking area - Surface of the largest baking pan: 1316 cm² - HomeMADE® modelled on traditional wood-fired bread oven - PerfectGrill
Control	<ul style="list-style-type: none"> - Electronic control - Knob shape: Illuminated sinkable knobs - IconTouch 	<ul style="list-style-type: none"> - Electronic control - Knob shape: Illuminated sinkable knobs - IconTouch
Heating types		
Features	- Illumination // Baking on different levels at the same time // MultiFlow 360°	- Illumination // Baking on different levels at the same time // MultiFlow 360°
Equipment	<ul style="list-style-type: none"> - 1 Deep enameled pyrolytic pan - 2 Shallow enameled pyrolytic pans // 1 Wire shelf - 1 Meat probe - Pyrolytic wire guides - Fully extendable telescopic oven guides - 2 levels 	<ul style="list-style-type: none"> - 1 Deep enameled baking pan - 2 Shallow enameled baking pans - 1 Wire shelf - 1 Meat probe - Fully extendable telescopic oven guides - 2 levels
Safety	<ul style="list-style-type: none"> - Thermoelectric fuse - Dynamic oven cooling plus - DC+ - Quadruple glazed oven door with double heat deflector (UltraCoolDoorQuadro+) 	<ul style="list-style-type: none"> - Thermoelectric fuse - Dynamic oven cooling plus - DC+ - Triple glazed oven door with double heat deflector (UltraCoolDoor)
EasyCleaning	<ul style="list-style-type: none"> - Pyrolytic cleaning - SilverMatte (easy clean enamel surface) - TouchFree Inox - Smooth oven door surface 	<ul style="list-style-type: none"> - AquaClean function - SilverMatte (easy clean enamel surface) - TouchFree Inox - Smooth oven door surface
Technical data	<ul style="list-style-type: none"> - Energy consumption: 0.69 kWh (venting), 0.94 kWh (conventional) - Connected load: 3400 W - Product dimensions (HxWxD): 59.5 × 59.5 × 54.6 cm - Niche dimensions (HxWxD): 59 × 56.4 × 55 cm - EAN code: 3838942030468 - Product code: 479679 	<ul style="list-style-type: none"> - Energy consumption: 0.70 kWh (venting), 0.94 kWh (conventional) - Connected load: 3400 W - Product dimensions (HxWxD): 59.5 × 59.5 × 54.6 cm - Niche dimensions (HxWxD): 59 × 56 × 55 cm - EAN code: 3838942030451 - Product code: 479680



BO 547 S10X
Built-in compact oven

Superior Line

BCS 599 S22X
Built-in compact steam oven

Superior Line

Energy Class A+ 50 l 59.5 cm 45.5 cm

Energy Class A+ 50 l 59.5 cm 45.5 cm

- Colour: Stainless steel
- Handle colour: Stainless steel
- Control panel material: Glass and stainless steel
- GentleClose door hinge

- Colour: Stainless steel
- Handle colour: Stainless steel
- Control panel material: Glass and stainless steel
- GentleClose door hinge

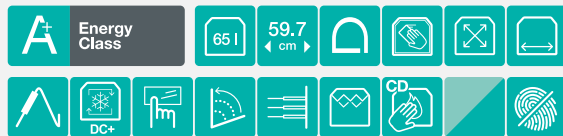
Efficiency	<ul style="list-style-type: none"> - Multisystem compact oven - 50 l - SuperSize baking area - HomeMADE® modelled on traditional wood-fired bread oven - PerfectGrill 	<ul style="list-style-type: none"> - Compact steam oven - 50 l - SuperSize baking area - HomeMADE® modelled on traditional wood-fired bread oven - PerfectGrill - MultiSteam 360°
Control	<ul style="list-style-type: none"> - Electronic control - Knob shape: Illuminated sinkable knobs - IconTouch 	<ul style="list-style-type: none"> - Electronic control - HomeChef, electronic programme module - Auto programme
Heating types		
Features	<ul style="list-style-type: none"> - Illumination // Baking on different levels at the same time // MultiFlow 360° 	<ul style="list-style-type: none"> - Step by Step // PureSteam // Double lightning // Baking on different levels at the same time // MultiFlow 360°
Equipment	<ul style="list-style-type: none"> - 1 Deep baking pan - 1 Shallow enameled pan - 1 Wire shelf - 1 Meat probe - Wire oven guides 	<ul style="list-style-type: none"> - 1 Steam tray - 1 Shallow enameled baking pan - 1 Perforated steam tray // 1 Wire shelf // 1 Meat probe - Fully extendable telescopic oven guides - 1 level - Water container: 1,3 l
Safety	<ul style="list-style-type: none"> - Thermoelectric fuse - Dynamic oven cooling plus - DC+ - Triple glazed oven door with double heat deflector (UltraCoolDoor) 	<ul style="list-style-type: none"> - Thermoelectric fuse - Dynamic oven cooling plus - DC+ - Triple glazed oven door with double heat deflector (UltraCoolDoor)
EasyCleaning	<ul style="list-style-type: none"> - AquaClean function - SilverMatte (easy clean enamel surface) - TouchFree Inox - Smooth oven door surface 	<ul style="list-style-type: none"> - AquaClean function - Descaling // SilverMatte (easy clean enamel surface) - TouchFree Inox - Smooth oven door surface
Technical data	<ul style="list-style-type: none"> - Energy consumption: 0.62 kWh (venting), 0.83 kWh (conventional) - Connected load: 2600 W - Product dimensions (HxWxD): 45.5 × 59.5 × 54.6 cm - Niche dimensions (HxWxD): 45 × 56 × 55 cm - EAN code: 3838942050619 - Product code: 498541 	<ul style="list-style-type: none"> - Energy consumption: 0.62 kWh (venting), 0.82 kWh (conventional) - Connected load: 2600 W - Product dimensions (HxWxD): 45.5 × 59.5 × 54.6 cm - Niche dimensions min-max (HxWxD): 45 × 56 × 55 cm - EAN code: 3838782000263 - Product code: 569123



BO 658 A41XG

Built-in single oven

Advanced Line



- Colour: Stainless steel
- Handle colour: Stainless steel
- Control panel material: Glass and stainless steel
- GentleClose door hinge

BOP 647 A12XG

Built-in pyrolytic single oven

Advanced Line



- Colour: Stainless steel
- Handle colour: Stainless steel
- Control panel material: Glass and stainless steel
- GentleClose door hinge

Efficiency	<ul style="list-style-type: none"> - Multisystem oven BigSpace - 65 l - SuperSize baking area - Surface of the largest baking pan: 1316 cm² - HomeMADE® modelled on traditional wood-fired bread oven - PerfectGrill 	<ul style="list-style-type: none"> - Multisystem oven BigSpace - 63 l - SuperSize baking area - Surface of the largest baking pan: 1316 cm² - HomeMADE® modelled on traditional wood-fired bread oven - PerfectGrill
Control	<ul style="list-style-type: none"> - Electronic control - DirecTouch 	<ul style="list-style-type: none"> - Electronic control - Knob shape: Illuminated sinkable knobs - IconTouch
Heating types		
Features	<ul style="list-style-type: none"> - Illumination - Baking on different levels at the same time 	<ul style="list-style-type: none"> - Illumination - Baking on different levels at the same time
Equipment	<ul style="list-style-type: none"> - 1 Deep enameled baking pan - 1 Shallow enameled baking pan - 1 Wire shelf // 1 Meat probe - Partially extendable telescopic oven guides - 3 levels - Catalytic oven sides and backwall 	<ul style="list-style-type: none"> - 1 Deep enameled pyrolytic pan - 1 Shallow enameled pyrolytic pan - 1 Wire shelf - Pyrolytic wire oven guides
Safety	<ul style="list-style-type: none"> - Thermoelectric fuse - Dynamic oven cooling plus - DC+ - Triple glazed oven door with one heat deflector (CoolDoor) - Mechanic door safety bolt 	<ul style="list-style-type: none"> - Thermoelectric fuse - Dynamic oven cooling plus - DC+ - Quadruple glazed oven door with double heat deflector (UltraCoolDoorQuadro)
EasyCleaning	<ul style="list-style-type: none"> - Catalytic cleaning CataClean // AquaClean function - SilverMatte (easy clean enamel surface) - TouchFree Inox - Smooth oven door surface 	<ul style="list-style-type: none"> - Pyrolytic cleaning - SilverMatte (easy clean enamel surface) - TouchFree Inox - Smooth oven door surface
Technical data	<ul style="list-style-type: none"> - Energy consumption: 0.67 kWh (venting), 0.92 kWh (conventional) - Connected load: 3300 W - Product dimensions (HxWxD): 59.5 × 59.7 × 54.7 cm - Niche dimensions min-max (HxWxD): 58.3-60 × 56-56.8 × 55 cm - EAN code: 3838942050732 - Product code: 498576 	<ul style="list-style-type: none"> - Energy consumption: 0.66 kWh (venting), 0.92 kWh (conventional) - Connected load: 3300 W - Product dimensions (HxWxD): 59.5 × 59.7 × 54.7 cm - Niche dimensions min-max (HxWxD): 58.3-60 × 56.4-56.8 × 55 cm - EAN code: 3838942052651 - Product code: 498581



BO 647 A20XG Advanced Line
Built-in single oven

BOP 637 E11X Essential Line
Built-in pyrolytic single oven

Energy Class **A+** 65 l 59.7 cm

Energy Class **A** 63 l 59.7 cm

- Colour: Stainless steel
- Handle colour: Stainless steel
- Control panel material: Glass and stainless steel
- GentleClose door hinge

- Colour: Stainless steel
- Handle colour: Stainless steel
- Control panel material: Stainless steel
- GentleClose door hinge

Efficiency	<ul style="list-style-type: none"> - Multisystem oven BigSpace - 65 l - SuperSize baking area - Surface of the largest baking pan: 1316 cm² - HomeMADE® modelled on traditional wood-fired bread oven - PerfectGrill 	<ul style="list-style-type: none"> - Multisystem oven BigSpace - 63 l - SuperSize baking area - Surface of the largest baking pan: 1316 cm² - HomeMADE® modelled on traditional wood-fired bread oven - PerfectGrill
Control	<ul style="list-style-type: none"> - Electronic control - Knob shape: Illuminated sinkable knobs - IconTouch 	<ul style="list-style-type: none"> - Mechanic temperature control - Knob shape: Sinkable knobs - IconLed
Heating types		
Features	<ul style="list-style-type: none"> - Illumination - Baking on different levels at the same time 	<ul style="list-style-type: none"> - Illumination - Baking on different levels at the same time
Equipment	<ul style="list-style-type: none"> - 1 Deep enameled baking pan - 1 Shallow enameled baking pan - 1 Wire shelf - Partially extendable telescopic oven guides - 1 level - Catalytic oven sides and backwall 	<ul style="list-style-type: none"> - 1 Deep enameled baking pan - 1 Shallow enameled baking pan - 1 Wire shelf - Wire oven guides
Safety	<ul style="list-style-type: none"> - Thermoelectric fuse - Dynamic oven cooling plus - DC+ - Triple glazed oven door with one heat deflector (CoolDoor) - Mechanic door safety bolt 	<ul style="list-style-type: none"> - Thermoelectric fuse - Dynamic oven cooling plus - DC+ - Quadruple glazed oven door with double heat deflector (UltraCoolDoorQuadro) - Mechanic door safety bolt
EasyCleaning	<ul style="list-style-type: none"> - Catalytic cleaning CataClean - AquaClean function - SilverMatte (easy clean enamel surface) - TouchFree Inox // Smooth oven door surface 	<ul style="list-style-type: none"> - Pyrolytic cleaning - SilverMatte (easy clean enamel surface) - TouchFree Inox - Smooth oven door surface
Technical data	<ul style="list-style-type: none"> - Energy consumption: 0.67 kWh (venting), 0.92 kWh (conventional) - Connected load: 3300 W - Product dimensions (HxWxD): 59.5 × 59.7 × 54.7 cm - Niche dimensions min-max (HxWxD): 58.3-60 × 56-56.8 × 55 cm - EAN code: 3838942052668 - Product code: 498580 	<ul style="list-style-type: none"> - Energy consumption: 0.86 kWh (venting), 0.92 kWh (conventional) - Connected load: 3300 W - Product dimensions (HxWxD): 59.5 × 59.7 × 54.7 cm - Niche dimensions min-max (HxWxD): 58.3-60 × 56.4-56.8 × 55 cm - EAN code: 3838942030444 - Product code: 479711



BO 635 E11BUK

- Colour: Black
- EAN code: 3838942030420
- Product code: 479713



BO 635 E11XUK

Built-in single oven

Essential Line



- Colour: Stainless steel
- Handle colour: Stainless steel
- Control panel material: Stainless steel
- GentleClose door hinge

BO 635 E01XKUK

Built-in single oven

Essential Line



- Colour: Stainless steel
- Handle colour: Stainless steel
- Control panel material: Stainless steel
- Classic door hinge

Efficiency	<ul style="list-style-type: none"> - Multisystem oven BigSpace - 65 l - SuperSize baking area - HomeMADE® modelled on traditional wood-fired bread oven - PerfectGrill 	<ul style="list-style-type: none"> - Multisystem oven BigSpace - 61 l - HomeMADE® modelled on traditional wood-fired bread oven - PerfectGrill
Control	<ul style="list-style-type: none"> - Mechanic temperature control - Knob shape: Sinkable knobs - IconLed 	<ul style="list-style-type: none"> - Mechanic temperature control - Knob shape: Ergonomic knobs - IconLed
Heating types		
Features	<ul style="list-style-type: none"> - Illumination 	<ul style="list-style-type: none"> - Illumination
Equipment	<ul style="list-style-type: none"> - 1 Deep enameled baking pan - 1 Shallow enameled baking pan - 1 Wire shelf - Wire oven guides 	<ul style="list-style-type: none"> - 1 Deep enameled baking pan - 1 Wire shelf - Drawn oven guides
Safety	<ul style="list-style-type: none"> - Thermoelectric fuse - Dynamic oven cooling - DC - Triple glazed oven door with one heat deflector (CoolDoor) 	<ul style="list-style-type: none"> - Thermoelectric fuse - Dynamic oven cooling - DC - Double glazed oven door with one heat deflector (CompactDoor)
EasyCleaning	<ul style="list-style-type: none"> - AquaClean function - SilverMatte (easy clean enamel surface) - TouchFree Inox 	<ul style="list-style-type: none"> - AquaClean function - SilverMatte (easy clean enamel surface) - TouchFree Inox
Technical data	<ul style="list-style-type: none"> - Energy consumption: 0.86 kWh (venting), 0.92 kWh (conventional) - Connected load: 2700 W - Product dimensions (HxWxD): 59.5 × 59.7 × 54.7 cm - Niche dimensions min-max (HxWxD): 58.3-60 × 56-56.8 × 55 cm - EAN code: 3838942030437 - Product code: 479712 	<ul style="list-style-type: none"> - Energy consumption: 0.86 kWh (venting), 0.92 kWh (conventional) - Connected load: 2700 W - Product dimensions (HxWxD): 59.5 × 59.7 × 54.7 cm - Niche dimensions min-max (HxWxD): 58.3-60 × 56-56.8 × 55 cm - EAN code: 3838942050688 - Product code: 498573



BD 2136 AX
Built-in double oven

BDU 2136 AX
Built under double oven

B Energy Class **A** Energy Class

59.4 cm 40 l 65 l

B Energy Class **A** Energy Class

59.5 cm 40 l 50 l

- Handle colour: Stainless steel
- Control panel material: Glass

- Handle colour: Stainless steel
- Control panel material: Glass

Top oven

- Conventional oven - 40 litres capacity
-
- Wire shelf guides with three levels
- Grill

- Conventional oven - 40 litres capacity
-
- Wire shelf guides with three levels
- Grill

Main oven

- Multifunction oven - 65 litres capacity
-
- Wire shelf guides with three levels
- Grill

- Multifunction oven - 50 litres capacity
-
- Wire shelf guides with three levels
- Grill

Features

- Electronic timer

- Electronic timer

Double oven equipment

- Top oven*
- Grill grid, baking tray
- Main oven*
- 1 Grill grid
 - 1 Shallow pan + trivet
 - 1 Grill pan handle
 - Rounded metal strips

- Top oven*
- Grill grid, baking tray
- Main oven*
- 1 Grill grid
 - 1 Shallow pan + trivet
 - 1 Grill pan handle
 - Rounded metal strips

Technical data

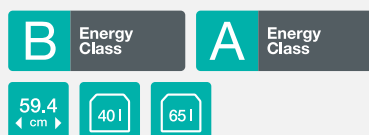
- Connection rating: 4900 W
- Dimensions (HxWxD): 88.8 x 59.4 x 56.1 cm
- Aperture dimensions (HxWxD): 88 x 56 x 56 cm
- EAN code: 3838942820830
- Product code: 399135

- Connection rating: 4100 W
- Dimensions (HxWxD): 71.5 x 59.5 x 56.7 cm
- Aperture dimensions (HxWxD): 71.7 x 56.2-56.5 x 56 cm
- EAN code: 3838942861970
- Product code: 408269



BD 2116 AX

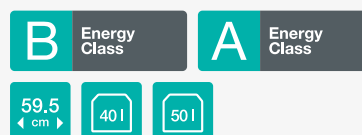
Built-in double oven



- Handle colour: Stainless steel
- Control panel material: Stainless steel

BDU 2116 AX

Built under double oven



- Handle colour: Stainless steel
- Control panel material: Stainless steel

Top oven	<ul style="list-style-type: none"> - Conventional oven - 40 litres capacity - Wire shelf guides with three levels - Grill 	<ul style="list-style-type: none"> - Conventional oven - 40 litres capacity - Wire shelf guides with three levels - Grill
Main oven	<ul style="list-style-type: none"> - Fan oven - 65 litres capacity - Wire shelf guides with three levels 	<ul style="list-style-type: none"> - Fan oven - 50 litres capacity - Wire shelf guides with three levels
Features	- Electronic timer	- Electronic timer
Double oven equipment	<p><i>Top oven</i></p> <ul style="list-style-type: none"> - Wire shelf <p><i>Main oven</i></p> <ul style="list-style-type: none"> - Shallow grill pan and trivet - Wire shelf 	<p><i>Top oven</i></p> <ul style="list-style-type: none"> - Wire shelf <p><i>Main oven</i></p> <ul style="list-style-type: none"> - Shallow grill pan and trivet - Wire shelf
Technical data	<ul style="list-style-type: none"> - Connection rating: 4150 W - Dimensions (HxWxD): 88.8 x 59.4 x 56.1 - Aperture dimensions (HxWxD): 88 x 56 x 56 cm - EAN code: 3838942545795 - Product code: 253643 	<ul style="list-style-type: none"> - Connection rating: 3850 W - Dimensions (HxWxD): 71.5 x 59.5 x 56.7 cm - Aperture dimensions (HxWxD): 71.7 x 56.2-56.5 x 56 cm - EAN code: 3838942545801 - Product code: 253645

A MULTI-TALENTED OVEN

Microwave ovens

A microwave oven is an indispensable tool in any modern kitchen. It allows preparing tasty and healthy food to support you in your life on the fast lane. Advanced technology makes sure the food is evenly thawed or heated. In addition to microwaves, these appliances also allow cooking with grill or hot air.

Thus, a built-in microwave oven can also be used as a conventional oven. Needless to say, they are equally impressive on the outside. They are designed to match the rest of Gorenje's built-in family of appliances.







BO 747 S30X



BCM 547 S12X & WD 1410 X



Inverter Technology

Gentle treatment for tastier food

Because of Inverter technology the energy is evenly distributed instead of pulsating. As a result, the food retains its initial structure, including its vitamins, minerals and fibres. The advantages of the even energy distribution are particularly

welcome when reheating or defrosting, and when cooking liquids. The overall microwaving time is shorter, which lowers energy consumption as well.



Stirrer Technology

Trays of all sizes are welcome

The Stirrer technology permits a standard-size baking tray to be placed in a microwave oven. The oven's entire width is used, saying goodbye to conventional turntables and uneven heating. The advanced microwave distribution system heats the food uniformly across the entire volume.



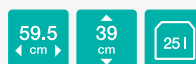


BCM 547 S12X Superior Line

Combined compact microwave oven

BM 251 S7XG Superior Line

Built-in microwave oven



- Colour: Stainless steel
- Handle colour: Stainless steel
- Control panel material: Glass and stainless steel
- Classic door hinge

- Colour: Black
- Control panel material: Glass
- Door material: Glass
- Stainless steel oven interior
- Door opening: Left
- Door open type: Button
- Double-glazed oven door

Efficiency	<ul style="list-style-type: none"> - Combined microwave oven - 50 l - SuperSize baking area - HomeMADE® modelled on traditional wood-fired bread oven - Microwave power: 1000 W - Grill power: 2200 W 	<ul style="list-style-type: none"> - Oven volume: 25 l - Microwave power: 900 W - Power of upper infra heater: 1100 W - Number of infra heaters: 1 - Convection: 2500 W - Technology of producing microwaves: Standard technology (HVT) - Type of microwave distribution: Rotating plate
Control	<ul style="list-style-type: none"> - Electronic control - Knob shape: Illuminated sinkable knobs - IconTouch 	<ul style="list-style-type: none"> - Electronic control - Input type Touch control - Type of display: LCD display
Heating types		<ul style="list-style-type: none"> - Combined heating: Microwaves / Grill / Hot air
Features	<ul style="list-style-type: none"> - MultiUse - Inverter technology - Stirrer technology - Illumination - Baking on different levels at the same time - MultiFlow 360° 	<ul style="list-style-type: none"> - AUTO menu - Time display
Equipment	<ul style="list-style-type: none"> - 1 Shallow enameled baking pan - 1 Glass baking pan - 1 Wire shelf - Wire oven guides 	<ul style="list-style-type: none"> - Rotating glass plate - Rotating grid
Safety	<ul style="list-style-type: none"> - Thermoelectric fuse - Dynamic oven cooling plus - DC+ - Triple glazing with a protective grid 	<ul style="list-style-type: none"> - Door safety bolt
EasyCleaning	<ul style="list-style-type: none"> - SilverMatte // TouchFree Inox // Smooth oven door surface 	
Technical data	<ul style="list-style-type: none"> - Connection rating: 3000 W - Product dimensions (HxWxD): 45.5 × 59.5 × 54.6 cm - Niche dimensions (HxWxD): 45 × 56 × 55 cm - EAN code: 3838942050725 - Product code: 498542 	<ul style="list-style-type: none"> - Connection rating: 1450 W - Product dimensions (HxWxD): 38.8 × 59.5 × 47 cm - Niche dimensions (HxWxD): 38 × 56.7 × 55 cm - EAN code: 3838942001437 - Product code: 470736 - BM 251 S7XG comes with a European plug as standard



BM 171 A4XG

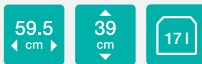
Built-in microwave oven

Advanced Line

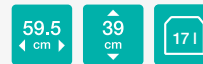
BM 171 E2XG

Built-in microwave oven



Essential Line



- Colour: Black
- Control panel material: Glass
- Door material: Glass
- Stainless steel oven interior
- Door opening: Left
- Door open type: Button
- Double-glazed oven door



- Colour: Black
- Control panel material: Glass
- Door material: Glass
- Stainless steel oven interior
- Door opening: Left
- Door open type: Button
- Double-glazed oven door

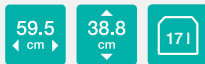
Efficiency	<ul style="list-style-type: none"> - Oven volume: 17 l - Microwave power: 700 W - Power of upper infra heater: 1000 W - Number of infra heaters: 1 - Technology of producing microwaves: Standard technology (HVT) - Type of microwave distribution: Rotating plate 	<ul style="list-style-type: none"> - Oven volume: 17 l - Microwave power: 700 W - Power of upper infra heater: 1000 W - Number of infra heaters: 1 - Technology of producing microwaves: Standard technology (HVT) - Type of microwave distribution: Rotating plate
Control	<ul style="list-style-type: none"> - Electronic control - Input type: Button - LCD display 	<ul style="list-style-type: none"> - Manual control - Input type: Button
Heating types	 <ul style="list-style-type: none"> - Combined heating: Microwaves + grill 	 <ul style="list-style-type: none"> - Combined heating: Microwaves + grill
Features	<ul style="list-style-type: none"> - AUTO menu 	
Equipment	<ul style="list-style-type: none"> - Rotating glass plate - Rotating grid 	<ul style="list-style-type: none"> - Rotating glass plate - Rotating grid
Safety	<ul style="list-style-type: none"> - Door safety bolt 	<ul style="list-style-type: none"> - Door safety bolt
EasyCleaning		
Technical data	<ul style="list-style-type: none"> - Connection rating: 1050 W - Product dimensions (HxWxD): 38.8 × 59.5 × 32 cm - Niche dimensions (HxWxD): 38 × 56 - 56.8 × min. 32 cm - EAN code: 3838942001444 - Product code: 470738 - BM 171 A4XG comes with a European plug as standard 	<ul style="list-style-type: none"> - Connection rating: 1050 W - Product dimensions (HxWxD): 38.8 × 59.5 × 32 cm - Niche dimensions (HxWxD): 38 × 56 - 56.8 × min. 32 cm - EAN code: 3838942000904 - Product code: 470348 - BM 171 E2XG comes with a European plug as standard




BM 171 E2X

Built-in microwave oven

Essential Line



- Colour: Stainless steel
- Control panel material: Stainless steel
- Door material: Glass
- Stainless steel oven interior
- Door opening: Left
- Door open type: Button
- Double-glazed oven door

Efficiency	<ul style="list-style-type: none"> - Oven volume: 17 l - Microwave power: 700 W - Power of upper infra heater: 1000 W - Number of infra heaters: 1 - Technology of producing microwaves: Standard technology (HVT) - Type of microwave distribution: Rotating plate
Control	<ul style="list-style-type: none"> - Manual control - Input type: Button
Heating types	 <ul style="list-style-type: none"> - Combined heating: Microwaves + grill
Features	
Equipment	<ul style="list-style-type: none"> - Rotating glass plate - Rotating grid
Safety	<ul style="list-style-type: none"> - Door safety bolt
EasyCleaning	
Technical data	<ul style="list-style-type: none"> - Connection rating: 1050 W - Product dimensions (HxWxD): 38.8 × 59.5 × 32 cm - Niche dimensions (HxWxD): 38 × 56 - 56.8 × min. 32 cm - EAN code: 3838942001208 - Product code: 470712 - BM 171 E2X comes with a European plug as standard

NOTHING BUT PLEASURE

Coffee machines

Perfect coffee is a serious challenge. Coffee beans need to be ground carefully, water temperature and the pressure needs to be set with precision, milk has to be warm enough and foamed to perfection. Nevertheless, a coffee cup shouldn't be cold either. Gorenje coffee machines will make mornings more enjoyable. Thought out coffee making process will extract the optimal flavour and create the enchanting smell that will bring a perfect start of the day.







PerfectCoffee

Favourite flavour and amount

Flavour intensity of your coffee can be adjusted using the touch controls and the LCD display. Five flavours are available: very mild, mild, normal, strong, and extra strong. Moreover, the amount can also be set: small, medium, large. The combination of flavour intensity and amount can be stored as a preset programme. Your favourite cup of coffee will thus be a touch of a symbol away. Alternatively, the appliance can be used to quickly dispense hot water for tea or other beverages.



GrindingLevels

From dark beans to aromatic coffee

Coffee tastes best when made with freshly ground coffee beans. Gorenje coffee machines offer 9 different grinding levels, from super fine to extra coarse. The leftover pulp is automatically dispensed.



CoffeeBean

Easy mornings

The coffee bean container is easily accessible as it can be pulled out. When needed ground coffee can also be used instead of beans. When the machine runs out of coffee beans, a warning will appear on the display.



EasyMilk

Creamy milk foam always at hand

Gorenje coffee machines feature a large milk container for cappuccino or latte, both can be prepared with desired amount of milk. A large milk container allows several cups of hot milk to be made without the need to refill. It is easily removable and can be simply pulled out and stored in the refrigerator until the next time you need it.



AutoCappuccino

From cappuccino to latte, in a second

The AutoCappuccino feature forces the water through ground coffee beans in a way that extracts the full aroma and creates truly genuine flavour. The desired level of milk foam can be set.



Warming Drawer

Staying perfect for the latecomers

The warming drawer can be positioned underneath a coffee machine or a combined microwave oven. The drawer can be used to heat up tableware, reheat food, or keep the food and beverages deliciously warm for any given time.



CMA 9200 UX Superior Line

Automatic built-in coffee machine

WD 1410 X Superior Line

Warming drawer



- Colour: Stainless steel

- Colour: Stainless steel

Efficiency	- Brewing / steam heating time: 2 min	- Number of servings: Set for 6 persons or 20 dishes in diameter 28 cm or 80 coffee cups or 40 tea cups
Control	- Touch control - LCD display - Timer function - Coffee preparation mode: Bean and ground	
Functions / Operating		- Warming of plates - Warming of cups - Heat preservation - Defrosting of food - Yogurt - Manual setting of temperature and timer
Features	- Autocappuccino function - Number of different shots of espresso coffee: 3 - Own coffee setting according to the recipe - Possibility of 2 simultaneous brewed cups - Milk frothing option	- TouchFree Inox - Air vented circulation - Time setting: Stop - Touch control - Temperature setting - Telescopic pull-out mechanism - Cold front - Drawer bottom: Glass
EasyCleaning	- Descaling programme	
Equipment	- Lighting - Beans container: 200 g - Water container capacity: 1,8 l - Removable milk container - Tea brewing option	
Safety	- Automatic shut down	
Technical data	- Container water intake - Pump pressure: 15 bar - Product dimensions (HxWxD): 45.5 × 59.5 × 38.1 cm - Niche dimensions (HxWxD): 45 × 56 × 55 cm - EAN code: 3838942684388 - Product code: 465211 - CMA 9200 UX comes with a European plug as standard	- Usable volume: 19.8 l - Temperature range: 40 – 80 °C - Timer range: 60 – 240 min - Connection rating: 410 W - Product dimensions (HxWxD): 14 × 59.5 × 56 cm - Niche dimensions (HxWxD): 14 × 56-56.8 × 55 cm - EAN code: 3838942104787 - Product code: 466188

PERFECT TASTE

Hobs

We all want to cook like professionals, impress our guests and serve healthy meals to our families. Usually, this means special knowledge or professional equipment. Gorenje hobs are designed as easy-to-use tools that enable everyone to cook with great results. Induction hobs, ceramic hobs and gas hobs are all equipped with features that make cooking effortless.





IQcook induction hob

Smart cooking

Thanks to the cooperation between IQ sensor on the lid and the sensor inside the induction bottom of the IQcook, you are able to cook completely automatically. Wireless communication between the pot and the hob actually controls the procedure, providing fully automatic cooking on one, two or all four cooking zones.



IQ 634 USC

80%
faster

40%
energy saving

100%
healthy meals

100%
sensor controlled

100%
automatic cooking



IQsteam

Vitamins stay in

Cooking with a small quantity of water preserves vitamins, minerals and natural colour of vegetables. Believe it or not, all it takes to prepare 1kg of vegetables is 50ml of water.



IQpro

A cooking marathon, made incredibly easy

IQpro offers a simple way to prepare dishes that require longer cooking times with slow warming up or cooking at a lower, constant temperature. Ideal for cooking dishes such as goulash.



IQpoach

Exactly the right temperature

IQpoach keeps the temperature between 71 and 85°C and prevents overcooking. Food retains its natural colour, juices and flavour. The specific and constant temperature is ideal for recipes such as poaching an egg.



IQgrill

Perfectly grilled steak

IQcook makes grilling thrillingly simple, even with very little or no oil. It prevents food from burning with 3 different levels of crispness. A simple way to the tastiest and healthiest barbecue ever.



IQboil

No drop leaves the pan

Fast water boiling and constant temperature maintaining can happen without a drop being boiled over. Feel free to watch TV and relax, because your kitchen is safe and sound.

Induction hobs

Induction hobs heat up twice as fast as Ceramic hobs, which makes them comparatively more economical and safe. An induction hob only heats the bottom of the pan while the remaining hob surface stays cool and always safe to touch. Temperature is adjusted instantly, by a simple touch, limiting the danger of boiling over. With such a hob melted chocolate, sophisticated sauces and other temperature-sensitive masterpieces become just a simple task.

Fast and Economical

Time required to heat 2 l of water at 15° C to 90° C.

Gorenje induction with PowerBoost Supreme function	4.2 min	
Gorenje induction with PowerBoost function	5.7 min	←
Induction	7.1 min	←
Ceramic	10 min	



PowerBoost Supreme

When in a hurry, don't worry

PowerBoost Supreme provides extreme heat intensity to the pot and significantly cuts waiting time. It takes just 4.2 minutes to boil 2l of water, which is extremely time-efficient. This function is found in some Superior models of Gorenje induction hobs.



PowerBoost

Cooking on fast-forward

The PowerBoost function intensifies heating, resulting in significantly less heating-up time. It takes just 5.7 minutes to boil 2l of water from 15°C to 90°C, which is half the time of regular HiLight hobs.



XpandZone
An XXL surface, for super large pots and pans

XpandZone allows cooking on almost the entire surface of the induction hob. When the XpandZone mode is activated, the cooking zones on the left or right side of the hob are combined into one extra-large cooking zone. Combined cooking zones

allow more space and freedom for cooking, space for larger cookware, or space for several smaller pots or pans that can be placed anywhere on the combined cooking zone.



BridgeZone
A simple plan for super-sized pots

The induction hob with two connecting zones simplifies cooking in large-sized pots. Two separate cooking zones are bridged to form one with just a simple touch. Perfect for preparing bigger pieces of food and sides simultaneously.

FishZone
An oval cooking zone, perfect for wider pots

Some of ceramic hobs have an expanded zone called a FishZone. When turned on, the traditional round cooking zone turns into a larger and oval surface that is especially suitable for wider pots.

BoilControl

Automatically adjusts the operating power. After initially operating at maximum power, the cooking zone maintains the desired temperature to prevent boiling over or overcooking.

Timer

The countdown timer can be set for up to 99 minutes. If the optimum cooking time for a particular dish is known from experience, the timer can be set and the hob will switch off automatically when completed. A beep will signal that the food is ready.

Stop&Go

The Stop&Go function stops the cooking and continues with the same settings after being re-activated.

ChildLock

ChildLock option is excellent for those who have children at home. Leaving them in a kitchen alone has never been safer, since this option prevents them from resetting any parameters.

StayWarm

The StayWarm function keeps food at a constant temperature of 70°C until the time is right to serve the meal. The food retains its original flavour and temperature until it is served.

SoftMelt

The SoftMelt function gently melts chocolate or butter at a constant temperature of 42°C, thereby creating perfect conditions for melting, without burning.

Hob edges



SC - Bevelled hob edge



CSC - Chamfered front hob edge



USC - Chamfered front and both sides

Gas hobs

Innovatively designed Gorenje gas hob burners optimize the flame to allow faster cooking and ultimate efficiency of the use of gas. Air and gas mixture is closer to optimum than in conventional burners used to date, and the use of gas and control of flame are considerably improved.



High Efficiency Burners

More heat for gas

Significantly improved gas burners provide up to 10% more efficient gas consumption.



WokBurner

Genuine Asian taste, at home

The wok burners reach a high heat very quickly, making Asian style cuisine and meals in big pots easy.



Coffee Reductor

Made for perfect morning rituals

New design features of Gorenje gas hobs include a highly practical coffee reductor, ideal for small diameter pots.

**Could be purchased separately.*



IT 984 USC Superior Line
Induction hob

IS 777 USC Superior Line
Induction hob

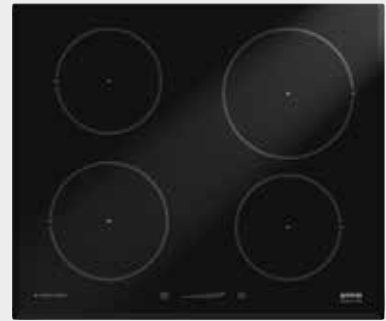
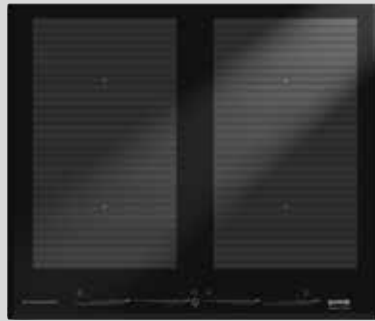
Induction 90 cm

Induction 75 cm

- Colour: Black

- Colour: Black

Control	<ul style="list-style-type: none"> - SmartControl - Timer function 	<ul style="list-style-type: none"> - SmartControl - Timer function
Features	<ul style="list-style-type: none"> - BoilControl. prevents pots from boiling over - StopGo function - StayWarm function - SoftMelt function - PowerBoost Supreme - Silent operation SuperSilent 	<ul style="list-style-type: none"> - BoilControl. prevents pots from boiling over - MultiSlider - StayWarm function - PowerBoost Supreme - XpandZone - Silent operation SuperSilent
Cooking surface	<ul style="list-style-type: none"> - 5 induction heating zones - Left front: Ø 18 cm, 1.85/3 kW - Middle front: Ø 18 cm, 1.85/3 kW - Left behind: Ø 18 cm, 1.85/3 kW - Middle behind: Ø 18 cm, 1.85/3 kW - Right: Ø 26 cm, 2.6/3.7 kW 	<ul style="list-style-type: none"> - 4 induction heating zones - Left front: Ø 19×22 cm, 2.3/3.7 kW - Right front: Ø 19×22 cm, 2.3/3.7 kW - Left behind: Ø 19×22 cm, 2.3/3.7 kW - Right behind: Ø 19×22 cm, 2.3/3.7 kW
Safety and durability	<ul style="list-style-type: none"> - Residual heat indicator - Safety control hob lock - ChildLock 	<ul style="list-style-type: none"> - Residual heat indicator - ChildLock
Technical data	<ul style="list-style-type: none"> - Connection rating: 11100 W - Product dimensions (HxWxD): 5 × 90 × 51 cm - Niche dimensions (HxWxD): 6.6 × 86 × 49 cm - EAN code: 3838942862212 - Product code: 464862 	<ul style="list-style-type: none"> - Connection rating: 7400 W - Product dimensions (HxWxD): 5 × 75 × 51 cm - Niche dimensions (HxWxD): 6.6 × 56 × 49 cm - EAN code: 3838942928307 - Product code: 464639



IS 677 USC
Induction hob

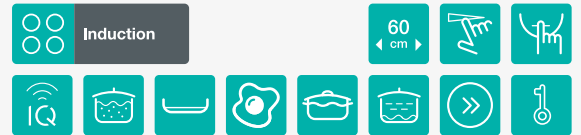
Superior Line

IQ 634 USC
Induction hob

Advanced Line

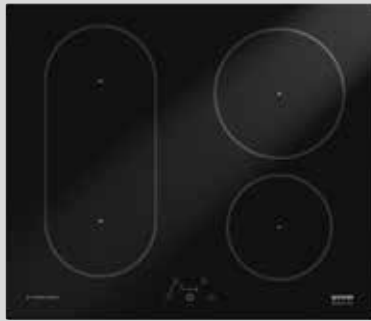


- Colour: Black



- Colour: Black

Control	<ul style="list-style-type: none"> - SmartControl - Timer function 	<ul style="list-style-type: none"> - SliderTouch. control at your fingertips - Timer function
Features	<ul style="list-style-type: none"> - BoilControl. prevents pots from boiling over - MultiSlider - StayWarm function - PowerBoost Supreme - XpandZone - Silent operation SuperSilent 	<ul style="list-style-type: none"> - 2 x IQcook sensors - PowerBoost function - AllBoost - Silent operation SuperSilent - IQboil. cooking with a large amount of water - IQgrill. grilling mode - IQpoach - IQpro. slow cooking - IQsteam. steam cooking
Cooking surface	<ul style="list-style-type: none"> - 4 induction heating zones - Left front: Ø 19×22 cm, 2.3/3.7 kW - Right front: Ø 19×22 cm, 2.3/3.7 kW - Left behind: Ø 19×22 cm, 2.3/3.7 kW - Right behind: Ø 19×22 cm, 2.3/3.7 kW 	<ul style="list-style-type: none"> - 4 induction heating zones - Left front: Ø 18.5 cm, 1.4/2 kW - Right front: Ø 16.5 cm, 1.2/1.4 kW - Left behind: Ø 16.5 cm, 1.2/1.4 kW - Right behind: Ø 20.5 cm, 2/2.3 kW
Safety and durability	<ul style="list-style-type: none"> - Residual heat indicator - ChildLock 	<ul style="list-style-type: none"> - Residual heat indicator - ChildLock
Technical data	<ul style="list-style-type: none"> - Connection rating: 7400 W - Product dimensions (HxWxD): 5 × 60 × 51 cm - Niche dimensions (HxWxD): 6.6 × 56 × 49 cm - EAN code: 3838942862113 - Product code: 464863 	<ul style="list-style-type: none"> - Connection rating: 7100 W - Product dimensions (HxWxD): 6.1 × 60 × 51 cm - Niche dimensions (HxWxD): 7.7 × 56 × 49 cm - EAN code: 3838942652783 - Product code: 464533



IT 635 SC Induction hob

Advanced Line

IT 332 CSC Induction hob

Advanced Line



- Colour: Black



- Colour: Black

Control

- Touch control
- Timer function

- Touch control
- Timer function

Features

- PowerBoost function
- AllBoost
- BridgeZone
- Silent operation SuperSilent

- PowerBoost function
- Silent operation SuperSilent

Cooking surface

- 4 induction heating zones
- Left front: Ø 18.5 cm, 1.4/2 kW
- Right front: Ø 16.5 cm, 1.2/1.4 kW
- Left behind: Ø 18.5 cm, 1.2/1.4 kW
- Right behind: Ø 20.5 cm, 2/2.3 kW

- 2 induction heating zones
- Front: Ø 16 cm, 1.4 kW
- Behind: Ø 20 cm, 2.3/3 kW

Safety and durability

- Residual heat indicator
- ChildLock

- Residual heat indicator
- Safety control hob lock
- ChildLock

Technical data

- Connection rating: 7100 W
- Product dimensions (HxWxD): 6.1 × 59.5 × 51 cm
- Niche dimensions (HxWxD): 7.7 × 56 × 49 cm
- EAN code: 3838942719530
- Product code: 463047

- Connection rating: 3650 W
- Product dimensions (HxWxD): 6.1 × 30 × 51 cm
- Niche dimensions (HxWxD): 8.5 × 27.5 × 49 cm
- EAN code: 3838942114137
- Product code: 545543



IT 734 CSC
Induction hob

Essential Line

IT 614 CSC
Induction hob

Essential Line



- Colour: Black



- Colour: Black

Control	- Touch control - Timer function	- Touch control - Timer function
Features	- PowerBoost function - AllBoost - Silent operation SuperSilent	- PowerBoost function - AllBoost - Silent operation SuperSilent
Cooking surface	- 4 induction heating zones - Left front: Ø 18.5 cm, 1.4/2 kW - Right front: Ø 16.5 cm, 1.2/1.4 kW - Left behind: Ø 16.5 cm, 1.2/1.4 kW - Right behind: Ø 20.5 cm, 2/2.3 kW	- 4 induction heating zones - Left front: Ø 18.5 cm, 1.4/1.9 kW - Right front: Ø 16.5 cm, 1.2/1.4 kW - Left behind: Ø 16.5 cm, 1.2/1.4 kW - Right behind: Ø 20.5 cm, 1.9/2.1 kW
Safety and durability	- Residual heat indicator - ChildLock	- Residual heat indicator - ChildLock
Technical data	- Connection rating: 7100 W - Product dimensions (HxWxD): 6.1 × 75 × 51 cm - Niche dimensions (HxWxD): 7.7 × 71 × 49 cm - EAN code: 3838942654282 - Product code: 464632	- Connection rating: 6800 W - Product dimensions (HxWxD): 5.5 × 59.5 × 51 cm - Niche dimensions (HxWxD): 7.1 × 56 × 48 cm - EAN code: 3838942719332 - Product code: 463046



ECS 780 USC Advanced Line
Ceramic hob

ECS 680 USC Advanced Line
Ceramic hob



- Colour: Black

- Colour: Black

Control	<ul style="list-style-type: none"> - SliderTouch. control at your fingertips - Timer function 	<ul style="list-style-type: none"> - SliderTouch. control at your fingertips - Timer function
Features	<ul style="list-style-type: none"> - BoilControl. prevents pots from boiling over - StayWarm function - FishZone 	<ul style="list-style-type: none"> - BoilControl. prevents pots from boiling over - StayWarm function - FishZone
Cooking surface	<ul style="list-style-type: none"> - 2 Ceramic heating zones + 1 triple Ceramic heating zone + 1 oval Ceramic heating zone - Left front: Triple heating zone 21/17.5/12 cm, 2.3 kW - Right front: Ø 14.5 cm, 1.2 kW - Left behind: Ø 14.5 cm, 1.2 kW - Right behind: Ø 26.5×17 cm, 2.4 kW 	<ul style="list-style-type: none"> - 2 Ceramic heating zones + 1 triple Ceramic heating zone + 1 oval Ceramic heating zone - Left front: Triple heating zone 21/17.5/12 cm, 2.3 kW - Right front: Ø 14.5 cm, 1.2 kW - Left behind: Ø 14.5 cm, 1.2 kW - Right behind: Ø 26.5×17 cm, 2.4 kW
Safety and durability	<ul style="list-style-type: none"> - Residual heat indicator - Safety control hob lock - ChildLock 	<ul style="list-style-type: none"> - Residual heat indicator - Safety control hob lock - ChildLock
Technical data	<ul style="list-style-type: none"> - Connection rating: 7100 W - Product dimensions (HxWxD): 4.7 × 75 × 51 cm - Niche dimensions (HxWxD): 6.3 × 71 × 49 cm - EAN code: 3838942654459 - Product code: 464635 	<ul style="list-style-type: none"> - Connection rating: 7100 W - Product dimensions (HxWxD): 5.1 × 60 × 51 cm - Niche dimensions (HxWxD): 6.7 × 56 × 49 cm - EAN code: 3838942654183 - Product code: 464519



ECT 693 CSC
Ceramic hob

Essential Line

ECT 610 SC
Ceramic hob

Essential Line



- Colour: Black

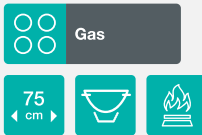


- Colour: Black

Control	- Touch control - Timer function	- Touch control
Features	- PowerZone - BoilControl. prevents pots from boiling over - StopGo function - StayWarm function - FishZone	- BoilControl. prevents pots from boiling over
Cooking surface	- 3 Ceramic heating zones + 1 oval Ceramic heating zone - Left front: Ø 21 cm, 2.1/3 kW - Right front: Ø 14.5 cm, 1.2 kW - Left behind: Ø 14.5 cm, 1.2 kW - Right behind: Ø 26.5×17 cm, 2.4 kW	- 4 Ceramic heating zones - Left front: Ø 21 cm, 2.3 kW - Right front: Ø 14.5 cm, 1.2 kW - Left behind: Ø 14.5 cm, 1.2 kW - Right behind: Ø 18 cm, 1.8 kW
Safety and durability	- Residual heat indicator - Safety control hob lock - ChildLock	- Residual heat indicator - Safety control hob lock - ChildLock
Technical data	- Connection rating: 6600 W - Product dimensions (HxWxD): 5.1 × 59.5 × 51 cm - Niche dimensions (HxWxD): 6.7 × 56 × 49 cm - EAN code: 3838942719486 - Product code: 463053	- Connection rating: 6500 W - Product dimensions (HxWxD): 5.1 × 59.5 × 51 cm - Niche dimensions (HxWxD): 6.7 × 56 × 49 cm - EAN code: 3838942654145 - Product code: 464537



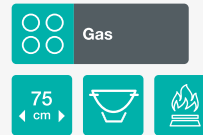
GTW 761 UB
Gas on tempered glass



- Colour: Black



GW 761 UX
Gas hob



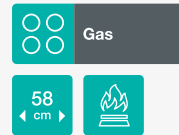
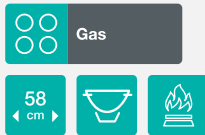
- Colour: Stainless steel

Control	- Knob shape: Ergonomic knobs	- Knob shape: Ergonomic knobs
Features	- Triple burner - High efficiency burners	- Triple burner - High efficiency burners
Cooking surface	- Single-handed ignition device - 1 auxiliary burner + 1 large burner + 2 normal burners + 1 wok burner - Left front: Ø 13.44 cm, 3.8 kW - Middle front: Ø 4.3 cm, 1 kW - Right front: Ø 6.7 cm, 1.75 kW - Middle behind: Ø 6.7 cm, 1.75 kW - Right behind: Ø 9.7 cm, 3 kW - Type of pan support: Cast iron grid	- Single-handed ignition device - 1 auxiliary burner + 1 large burner + 2 normal burners + 1 wok burner - Left front: Ø 13.44 cm, 3.8 kW - Middle front: Ø 4.3 cm, 1 kW - Right front: Ø 6.7 cm, 1.75 kW - Middle behind: Ø 6.7 cm, 1.75 kW - Right behind: Ø 9.7 cm, 3 kW - Type of pan support: Cast iron grid
Safety and durability	- Safety function - Gas control	- Safety function - Gas control
Technical data	- Product dimensions (HxWxD): 11.2 × 75 × 51 cm - Niche dimensions (HxWxD): 7.3 × 72 × 48 cm - EAN code: 3838942928741 - Product code: 426158	- Product dimensions (HxWxD): 10.3 × 75 × 51 cm - Niche dimensions (HxWxD): 7.9 × 72 × 48 cm - EAN code: 3838942213168 - Product code: 453969



GW 6N41 IXUK
Gas hob

G 6N41 IXUK
Gas hob



- Colour: Stainless steel

- Colour: Stainless steel

Control	- Knob shape: Ergonomic knobs	- Knob shape: Ergonomic knobs
Features	- Double burner - High efficiency burners	- High efficiency burners
Cooking surface	- Single-handed ignition device - 1 auxiliary burner + 1 double burner + 2 normal burners - Left front: Ø 6.9 cm, 1.9 kW - Right front: Ø 4.4 cm, 1 kW - Left behind: Ø 6.9 cm, 1.9 kW - Right behind: Ø 13.2 cm, 3.5 kW - Type of pan support: Cast iron grid	- Single-handed ignition device - 1 auxiliary burner + 1 large burner + 2 standard burners - Left front: Ø 6.9 cm, 1.9 kW - Right front: Ø 4.4 cm, 1 kW - Left behind: Ø 6.9 cm, 1.9 kW - Right behind: Ø 9.4 cm, 3 kW - Type of pan support: Cast iron grid
Safety and durability	- Safety function - Gas control	- Safety function - Gas control
Technical data	- Product dimensions (HxWxD): 10.6 × 58 × 51 cm - Niche dimensions (HxWxD): 10 × 56 × 49 cm - EAN code: 3838942304804 - Product code: 454379	- Product dimensions (HxWxD): 10.6 × 58 × 51 cm - Niche dimensions (HxWxD): 10 × 56 × 49 cm - EAN code: 3838942306013 - Product code: 454378





A HELPING HAND FROM ABOVE

Gorenje Hoods

Gorenje hoods bring two in one as they are technologically advanced tools in the form of superbly designed objects. They are a perfect companion to a modern lifestyle – they contribute to a healthier living environment, efficiently remove bad smells and work silently and reliably. Gorenje hoods are made of top quality materials and offer the best user experience whilst cooking, cleaning or simply just watching them.



AdaptAir

No smell. Just air.

Patented AdaptAir technology ensures completely even air suction over the entire hood surface. Steam, smells and impurities no longer enter the kitchen air.



Polyurethane filter

Benefits of polyurethane foam

Unique AdaptAir and aluminium grease filters are enhanced with a special polyurethane foam that eliminates up to 98% of all grease particles and other impurities. At the same time, the hood maintains its absorption efficiency.



LED light

See what you're cooking

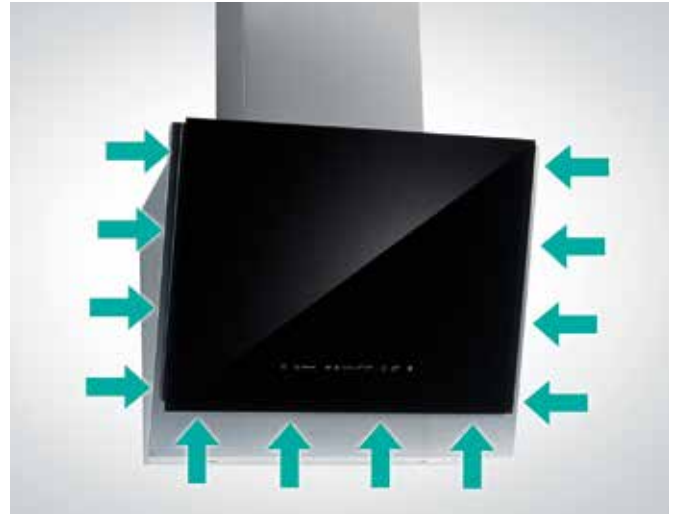
LED lighting provides excellent and highly efficient illumination of the cooking hob and represents an important aesthetic and functional element in the kitchen. Its useful life is thirty times as long as that of conventional light bulbs, and it saves up to ten times as much power.



AdaptTech

Automatic fan operation

A special sensor, when in automatic operating mode, senses the level of impurities or steam, humidity and gases and responds suitably. It automatically adjusts the fan speed accordingly or, when it is no longer needed, even completely stops the fan.



P.A.S. System

Smart, targeted extraction with less noise

Innovative perimetric aspiration system (P.A.S.) directs its extraction power to the edges. This approach reduces energy consumption and noise at the same time. As a result air extraction is considerably more silent and efficient.



TouchFree coating

Shiney and fingerprint-free finish

All stainless steel surfaces are coated with a special TouchFree film that prevents fingerprint markings, leaving the surface always shiny and making cleaning much easier.



Timer and refresh

Always fresh and punctual

Special advantages of new Gorenje hoods include setting the timing for automatic switching off and the refresh function which is activated every hour, refreshing the air for 10 minutes.



A+ Energy Class A+
Top energy efficiency

Combination of smart technical solutions, polyurethane filters, very efficient motors and LED lightning delivers excellent suction and up to A+.



Easy to clean
Low maintenance

Cleaning is an important factor in prolonging the useful life of your kitchen hood and its filters. Latest models feature a sensor that is able to perceive when the filter is saturated with grease particles to the extent when optimum hood performance is impaired. A light symbol on the control panel will alarm you that it is time to clean or replace the filter (for hoods with charcoal filters).



Inverter PowerDrive
Remarkable power, high efficiency

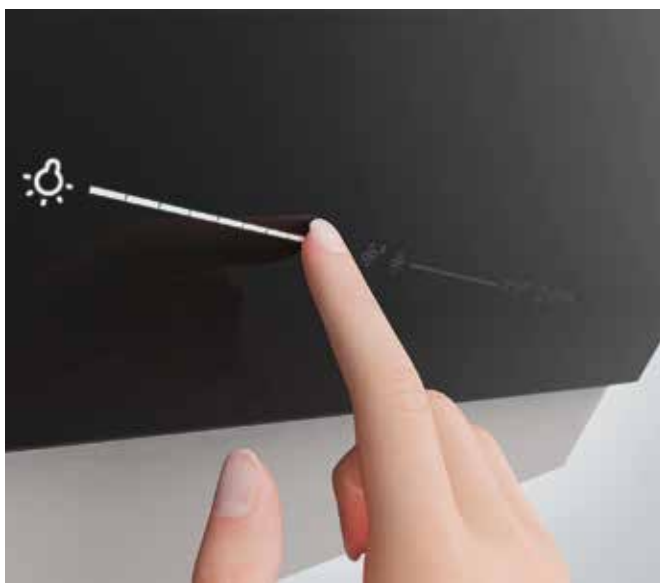
The powerful motor is brushless, which eliminates mechanical tension, friction, or wear. The results are better, power savings are higher, and the function is notably quieter.



Touch on inox

Everything is under your control

Gorenje's cutting edge sensor technology makes it possible to operate your inox hood with you fingertips. Since everything is hidden behind the inox, the whole surface remains perfectly smooth and very easy to clean.



Slider touch

Easy control

A special innovative slider enables easy and instant changes between different power levels and lighting intensities.



Matching design

Perfectly blending in

New generation of Gorenje kitchen hoods is a unique combination of optimum functionality and perfection in design. In addition to state-of-the-art technology, they boast a uniform appearance with other built-in kitchen appliances allowing them to blend in harmoniously with any interior while affording a number of different layouts.

Advantages of new hoods with smart glass design

New Gorenje hoods with smart glass design bring great visual appeal to your kitchen, along with many advantages. High quality glass is easy to clean and at the same time offers an additional space for spices or small objects on the sides.



IHGC 963 A1XUK



SmartCurve Better capturing steam and grease

New models of Gorenje hoods feature new innovative shape with specially curved glass which captures more steam, grease and odours as standard design hoods.



Controls

Cleverly placed above the glass surface, the controls of the hood are protected from grease and stay clean and perfectly operating for a long time. They are easy to reach and use (no bending below the hood cap), simple to clean and stay cold during the cooking.



LED-lights

Smart design and placement behind the glass surface, the LED-lights stay protected from grease and therefore require no cleaning. Simply wiping the glass below them will do the trick.



Polyurethane grease filter

These models of hoods use one big polyurethane filter which is easy to install and replace with just a simple click.



IHGC 963 A1XUK Island cooker hood

Advanced Line



- Venting with air extraction or recirculation
- Material of housing/chimney: Stainless steel and glass / Stainless steel
- Colour of housing/chimney: Glass and stainless steel / Stainless steel

Efficiency	<ul style="list-style-type: none"> - Maximum extraction rate by extraction operation: 441 m³/h - Venting tube diameter: 15 cm
The capacity of ventilator	<ul style="list-style-type: none"> - Air flow by extraction version, step 1: 261 m³/h - Air flow by extraction version, step 2: 332 m³/h - Air flow by extraction version, step 3: 441 m³/h - Airflow boost position (PowerBoost 1) - extraction: 650 m³/h - Number of PowerBoost functions: 1
Control	<ul style="list-style-type: none"> - AdaptTech: Automatic fan operation - Electronic control - Control setting: Touch control on metal - Timer function - Number of speed positions: 3
Features	<ul style="list-style-type: none"> - TouchFree Inox - Constant ventilation ReFresh - SmartCurve - Lamp type: LED - On/off light switch - Number of lights: 4 - Power of lights: 12 W
Equipment	<ul style="list-style-type: none"> - Filter material: Washable aluminium with polyurethane foam - Grease filter indicator - Number of motors: 1 - Motor type: Capacitor motor - No return airflow flap: 150 mm
Technical data	<ul style="list-style-type: none"> - Max. noise level: 60 dB(A)re 1 pW - Product dimensions (WxD): 90 × 60 cm - Height: 560 mm - Min. height of the chimney: 285 mm - Max. height of the chimney: 510 mm - Annual energy consumption: 66,1 kWh - EAN code: 3838782014253 - Code: 578592



WHI 951 S1XGBUK Wall mounted cooker hood

Superior Line

WHI 651 S1XGBUK Wall mounted cooker hood

Superior Line



Energy Class

89,8
cm



Energy Class

59,5
cm



- Venting with air extraction or recirculation
- Material of housing/chimney: Stainless steel and glass / Stainless steel
- Colour of housing/chimney: Stainless steel and black glass / Stainless steel

- Venting with air extraction or recirculation
- Material of housing/chimney: Stainless steel and glass / Stainless steel
- Colour of housing/chimney: Stainless steel and black glass / Stainless steel

Efficiency

- Maximum extraction rate by extraction operation: 480 m³/h
- Maximum extraction rate by recirculation operation: 370 m³/h
- Venting tube diameter: 15 cm

- Maximum extraction rate by extraction operation: 480 m³/h
- Maximum extraction rate by recirculation operation: 370 m³/h
- Venting tube diameter: 15 cm

The capacity of ventilator

- Air flow by extraction version, step 1: 273 m³/h
- Air flow by extraction version, step 2: 300 m³/h
- Air flow by extraction version, step 3: 342 m³/h
- Air flow by extraction version, step 4: 373 m³/h
- Airflow boost position (PowerBoost 1) – recirculation: 474 m³/h
- Airflow boost position (PowerBoost 2) - recirculation: 476 m³/h
- Airflow boost position (PowerBoost 1) - extraction: 662 m³/h
- Airflow boost position (PowerBoost 2) - extraction: 737 m³/h
- Number of PowerBoost functions: 2

- Air flow by extraction version, step 1: 273 m³/h
- Air flow by extraction version, step 2: 300 m³/h
- Air flow by extraction version, step 3: 342 m³/h
- Air flow by extraction version, step 4: 373 m³/h
- Airflow boost position (PowerBoost 1) – recirculation: 474 m³/h
- Airflow boost position (PowerBoost 2) - recirculation: 476 m³/h
- Airflow boost position (PowerBoost 1) - extraction: 662 m³/h
- Airflow boost position (PowerBoost 2) - extraction: 737 m³/h
- Number of PowerBoost functions: 2

Control

- AdaptTech: Automatic fan operation
- Electronic control
- Control setting: SliderTouch control
- Timer function
- Number of speed positions: 9

- AdaptTech: Automatic fan operation
- Electronic control
- Control setting: SliderTouch control
- Timer function
- Number of speed positions: 9

Features

- TouchFree Inox // Constant ventilation ReFresh
- Lamp type: Led strip // Dimmer function
- Number of lights: 1 // Power of lights: 7 W
- Perimetric suction

- TouchFree Inox // Constant ventilation ReFresh
- Lamp type: Led strip // Dimmer function
- Number of lights: 1 // Power of lights: 7 W
- Perimetric suction

Equipment

- Filter material: Washable aluminium with polyurethane foam
- Grease filter indicator
- Number of motors: 1
- Motor type: Inverter motor
- No return airflow flap: 150 mm

- Filter material: Washable aluminium with polyurethane foam
- Grease filter indicator
- Number of motors: 1
- Motor type: Inverter motor
- No return airflow flap: 150 mm

Technical data

- Max. noise level: 60 dB(A)re 1 pW
- Product dimensions (WxD): 89,8 × 37,3 cm
- Height: 450 mm
- Min. height of the chimney: 575 mm
- Max. height of the chimney: 1105 mm
- Annual energy consumption: 47,1 kWh
- EAN code: 3838942041457
- Code: 494729

- Max. noise level: 60 dB(A)re 1 pW
- Product dimensions (WxD): 59,5 × 37,3 cm
- Height: 450 mm
- Min. height of the chimney: 574 mm
- Max. height of the chimney: 1104 mm
- Annual energy consumption: 47,1 kWh
- EAN code: 3838942041433
- Code: 494728



WHI 921 E3BUK Wall mounted cooker hood

Essential Line

WHI 621 E3BUK Wall mounted cooker hood

Essential Line



- Venting with air extraction or recirculation
- Material of housing/chimney: Varnished steel and glass / Varnished steel
- Colour of housing/chimney: Black painted and black glass / Black



- Venting with air extraction or recirculation
- Material of housing/chimney: Varnished steel and glass / Varnished steel
- Colour of housing/chimney: Black painted and black glass / Black

Efficiency

- Maximum extraction rate by extraction operation: 570 m³/h
- Maximum extraction rate by recirculation operation: 372 m³/h
- Venting tube diameter: 15 cm

- Maximum extraction rate by extraction operation: 570 m³/h
- Maximum extraction rate by recirculation operation: 372 m³/h
- Venting tube diameter: 15 cm

The capacity of ventilator

- Air flow by extraction version, step 1: 234 m³/h
- Air flow by extraction version, step 2: 356 m³/h
- Air flow by extraction version, step 3: 570 m³/h

- Air flow by extraction version, step 1: 234 m³/h
- Air flow by extraction version, step 2: 356 m³/h
- Air flow by extraction version, step 3: 570 m³/h

Control

- Mechanic control
- Control setting: Button control
- Number of speed positions: 3

- Mechanic control
- Control setting: Button control
- Number of speed positions: 3

Features

- Lamp type: Halogen // On/off light switch
- Number of lights: 2
- Power of lights: 40 W
- Perimetric suction

- Lamp type: Halogen // On/off light switch
- Number of lights: 2
- Power of lights: 40 W
- Perimetric suction

Equipment

- Filter material: Washable aluminium with polyurethane foam
- Number of motors: 1
- Motor type: Capacitor motor
- No return airflow flap: 150 mm

- Filter material: Washable aluminium with polyurethane foam
- Number of motors: 1
- Motor type: Capacitor motor
- No return airflow flap: 150 mm

Technical data

- Max. noise level: 62 dB(A)re 1 pW
- Product dimensions (WxD): 89,8 × 37,3 cm
- Height: 450 mm
- Min. height of the chimney: 575 mm
- Max. height of the chimney: 1105 mm
- Annual energy consumption: 100,1 kWh
- EAN code: 3838942041303
- Code: 494725

- Max. noise level: 62 dB(A)re 1 pW
- Product dimensions (WxD): 59,5 × 37,3 cm
- Height: 450 mm
- Min. height of the chimney: 574 mm
- Max. height of the chimney: 1104 mm
- Annual energy consumption: 100,1 kWh
- EAN code: 3838942041297
- Code: 494724



WHI 921 E1XGBUK Wall mounted cooker hood

Essential Line

WHI 621 E1XGBUK Wall mounted cooker hood

Essential Line



- Venting with air extraction or recirculation
- Material of housing/chimney: Stainless steel and glass / Stainless steel
- Colour of housing/chimney: Stainless steel and black glass / Stainless steel

- Venting with air extraction or recirculation
- Material of housing/chimney: Stainless steel and glass / Stainless steel
- Colour of housing/chimney: Stainless steel and black glass / Stainless steel

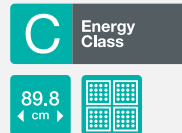
Efficiency	<ul style="list-style-type: none"> - Maximum extraction rate by extraction operation: 570 m³/h - Maximum extraction rate by recirculation operation: 372 m³/h - Venting tube diameter: 15 cm 	<ul style="list-style-type: none"> - Maximum extraction rate by extraction operation: 570 m³/h - Maximum extraction rate by recirculation operation: 372 m³/h - Venting tube diameter: 15 cm
The capacity of ventilator	<ul style="list-style-type: none"> - Air flow by extraction version, step 1: 234 m³/h - Air flow by extraction version, step 2: 356 m³/h - Air flow by extraction version, step 3: 570 m³/h 	<ul style="list-style-type: none"> - Air flow by extraction version, step 1: 234 m³/h - Air flow by extraction version, step 2: 356 m³/h - Air flow by extraction version, step 3: 570 m³/h
Control	<ul style="list-style-type: none"> - Mechanic control - Control setting: Button control - Number of speed positions: 3 	<ul style="list-style-type: none"> - Mechanic control - Control setting: Button control - Number of speed positions: 3
Features	<ul style="list-style-type: none"> - TouchFree Inox - Lamp type: Halogen - On/off light switch - Number of lights: 2 - Power of lights: 40 W - Perimetric suction 	<ul style="list-style-type: none"> - TouchFree Inox - Lamp type: Halogen - On/off light switch - Number of lights: 2 - Power of lights: 40 W - Perimetric suction
Equipment	<ul style="list-style-type: none"> - Filter material: Washable aluminium with polyurethane foam - Number of motors: 1 - Motor type: Capacitor motor - No return airflow flap: 150 mm 	<ul style="list-style-type: none"> - Filter material: Washable aluminium with polyurethane foam - Number of motors: 1 - Motor type: Capacitor motor - No return airflow flap: 150 mm
Technical data	<ul style="list-style-type: none"> - Max. noise level: 62 dB(A)re 1 pW - Product dimensions (WxD): 89,8 × 37,3 cm - Height: 450 mm - Min. height of the chimney: 575 mm - Max. height of the chimney: 1105 mm - Annual energy consumption: 100,1 kWh - EAN code: 3838942041280 - Code: 494723 	<ul style="list-style-type: none"> - Max. noise level: 62 dB(A)re 1 pW - Product dimensions (WxD): 59,5 × 37,3 cm - Height: 450 mm - Min. height of the chimney: 574 mm - Max. height of the chimney: 1104 mm - Annual energy consumption: 100,1 kWh - EAN code: 3838942041273 - Code: 494722



WHT 921 E3XBGUK

Wall mounted cooker hood

Essential Line

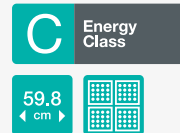


- Venting with air extraction or recirculation
- Material of housing/chimney: Stainless steel and glass / Stainless steel
- Colour of housing/chimney: Black painted and black glass / Stainless steel

WHT 621 E3XBGUK

Wall mounted cooker hood

Essential Line



- Venting with air extraction or recirculation
- Material of housing/chimney: Stainless steel and glass / Stainless steel
- Colour of housing/chimney: Black painted and black glass / Stainless steel

Efficiency	<ul style="list-style-type: none"> - Maximum extraction rate by extraction operation: 576 m³/h - Maximum extraction rate by recirculation operation: 274 m³/h - Venting tube diameter: 15 cm 	<ul style="list-style-type: none"> - Maximum extraction rate by extraction operation: 576 m³/h - Maximum extraction rate by recirculation operation: 274 m³/h - Venting tube diameter: 15 cm
The capacity of ventilator	<ul style="list-style-type: none"> - Air flow by extraction version, step 1: 244 m³/h - Air flow by extraction version, step 2: 368 m³/h - Air flow by extraction version, step 3: 576 m³/h 	<ul style="list-style-type: none"> - Air flow by extraction version, step 1: 244 m³/h - Air flow by extraction version, step 2: 368 m³/h - Air flow by extraction version, step 3: 576 m³/h
Control	<ul style="list-style-type: none"> - Mechanic control - Control setting: Button control - Number of speed positions: 3 	<ul style="list-style-type: none"> - Mechanic control - Control setting: Button control - Number of speed positions: 3
Features	<ul style="list-style-type: none"> - Lamp type: Halogen - On/off light switch - Number of lights: 2 - Power of lights: 40 W 	<ul style="list-style-type: none"> - Lamp type: Halogen - On/off light switch - Number of lights: 2 - Power of lights: 40 W
Equipment	<ul style="list-style-type: none"> - Filter material: Washable aluminium with polyurethane foam - Number of motors: 1 - Motor type: Capacitor motor - No return airflow flap: 150 mm 	<ul style="list-style-type: none"> - Filter material: Washable aluminium with polyurethane foam - Number of motors: 1 - Motor type: Capacitor motor - No return airflow flap: 150 mm
Technical data	<ul style="list-style-type: none"> - Max. noise level: 66 dB(A)re 1 pW - Product dimensions (WxD): 89,8 × 45 cm - Height: 42 mm - Min. height of the chimney: 577 mm - Max. height of the chimney: 1117 mm - Annual energy consumption: 102,5 kWh - EAN code: 3838942041266 - Code: 494721 	<ul style="list-style-type: none"> - Max. noise level: 66 dB(A)re 1 pW - Product dimensions (WxD): 59,8 × 45 cm - Height: 42 mm - Min. height of the chimney: 577 mm - Max. height of the chimney: 1117 mm - Annual energy consumption: 102,5 kWh - EAN code: 3838942041259 - Code: 494700



WHT 921 E5XUK Wall mounted cooker hood

Essential Line

WHT 621 E5XUK Wall mounted cooker hood

Essential Line



- Venting with air extraction or recirculation
- Material of housing/chimney: Stainless steel / Stainless steel
- Colour of housing/chimney: Stainless steel / Stainless steel

- Venting with air extraction or recirculation
- Material of housing/chimney: Stainless steel / Stainless steel
- Colour of housing/chimney: Stainless steel / Stainless steel

Efficiency

- Maximum extraction rate by extraction operation: 576 m³/h
- Maximum extraction rate by recirculation operation: 274 m³/h
- Venting tube diameter: 15 cm

- Maximum extraction rate by extraction operation: 576 m³/h
- Maximum extraction rate by recirculation operation: 274 m³/h
- Venting tube diameter: 15 cm

The capacity of ventilator

- Air flow by extraction version, step 1: 244 m³/h
- Air flow by extraction version, step 2: 368 m³/h
- Air flow by extraction version, step 3: 576 m³/h

- Air flow by extraction version, step 1: 244 m³/h
- Air flow by extraction version, step 2: 368 m³/h
- Air flow by extraction version, step 3: 576 m³/h

Control

- Mechanic control
- Control setting: Button control
- Number of speed positions: 3

- Mechanic control
- Control setting: Button control
- Number of speed positions: 3

Features

- TouchFree Inox
- Lamp type: Halogen
- On/off light switch
- Number of lights: 2
- Power of lights: 40 W

- TouchFree Inox
- Lamp type: Halogen
- On/off light switch
- Number of lights: 2
- Power of lights: 40 W

Equipment

- Filter material: Washable aluminium with polyurethane foam
- Number of motors: 1
- Motor type: Capacitor motor
- No return airflow flap: 150 mm

- Filter material: Washable aluminium with polyurethane foam
- Number of motors: 1
- Motor type: Capacitor motor
- No return airflow flap: 150 mm

Technical data

- Max. noise level: 66 dB(A)re 1 pW
- Product dimensions (WxD): 89,8 × 45 cm
- Height: 42 mm
- Min. height of the chimney: 577 mm
- Max. height of the chimney: 1117 mm
- Annual energy consumption: 102,5 kWh
- EAN code: 3838942041242
- Code: 494699

- Max. noise level: 66 dB(A)re 1 pW
- Product dimensions (WxD): 59,8 × 45 cm
- Height: 42 mm
- Min. height of the chimney: 577 mm
- Max. height of the chimney: 1117 mm
- Annual energy consumption: 102,5 kWh
- EAN code: 3838942041235
- Code: 494698



WHGC 933 E16XUK

Wall mounted cooker hood

Essential Line

WHGC 633 E16XUK

Wall mounted cooker hood

Essential Line



- Venting with air extraction or recirculation
- Material of housing/chimney: Stainless steel and glass / Stainless steel
- Colour of housing/chimney: Glass and stainless steel / Stainless steel



- Venting with air extraction or recirculation
- Material of housing/chimney: Stainless steel and glass / Stainless steel
- Colour of housing/chimney: Glass and stainless steel / Stainless steel

Efficiency	<ul style="list-style-type: none"> - Maximum extraction rate by extraction operation: 462 m³/h - Maximum extraction rate by recirculation operation: 392 m³/h - Venting tube diameter: 15 cm 	<ul style="list-style-type: none"> - Maximum extraction rate by extraction operation: 462 m³/h - Maximum extraction rate by recirculation operation: 392 m³/h - Venting tube diameter: 15 cm
The capacity of ventilator	<ul style="list-style-type: none"> - Air flow by extraction version, step 1: 195 m³/h - Air flow by extraction version, step 2: 331 m³/h - Air flow by extraction version, step 3: 462 m³/h 	<ul style="list-style-type: none"> - Air flow by extraction version, step 1: 195 m³/h - Air flow by extraction version, step 2: 331 m³/h - Air flow by extraction version, step 3: 462 m³/h
Control	<ul style="list-style-type: none"> - Electronic control - Control setting: Button control - Number of speed positions: 3 	<ul style="list-style-type: none"> - Electronic control - Control setting: Button control - Number of speed positions: 3
Features	<ul style="list-style-type: none"> - TouchFree Inox - SmartCurve - Lamp type: LED - On/off light switch - Number of lights: 2 - Power of lights: 6 W 	<ul style="list-style-type: none"> - TouchFree Inox - SmartCurve - Lamp type: LED - On/off light switch - Number of lights: 2 - Power of lights: 6 W
Equipment	<ul style="list-style-type: none"> - Filter material: Washable aluminium with polyurethane foam - Number of motors: 1 - Motor type: Capacitor motor - No return airflow flap: 150 mm 	<ul style="list-style-type: none"> - Filter material: Washable aluminium with polyurethane foam - Number of motors: 1 - Motor type: Capacitor motor - No return airflow flap: 150 mm
Technical data	<ul style="list-style-type: none"> - Max. noise level: 59 dB(A)re 1 pW - Product dimensions (WxD): 90 × 45 cm - Height: 550 mm - Min. height of the chimney: 150 mm - Max. height of the chimney: 380 mm - Annual energy consumption: 55,1 kWh - EAN code: 3838782014222 - Code: 578589 	<ul style="list-style-type: none"> - Max. noise level: 59 dB(A)re 1 pW - Product dimensions (WxD): 60 × 45 cm - Height: 550 mm - Min. height of the chimney: 150 mm - Max. height of the chimney: 380 mm - Annual energy consumption: 55,1 kWh - EAN code: 3838782014246 - Code: 578591

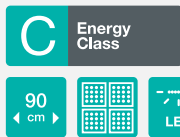


WHC 923 E14XUK Wall mounted cooker hood

Essential Line

WHC 623 E14XUK Wall mounted cooker hood

Essential Line



- Venting with air extraction or recirculation
- Material of housing/chimney: Stainless steel / Stainless steel
- Colour of housing/chimney: Stainless steel / Stainless steel

- Venting with air extraction or recirculation
- Material of housing/chimney: Stainless steel / Stainless steel
- Colour of housing/chimney: Stainless steel / Stainless steel

Efficiency

- Maximum extraction rate by extraction operation: 412 m³/h
- Maximum extraction rate by recirculation operation: 304 m³/h
- Venting tube diameter: 15 cm

- Maximum extraction rate by extraction operation: 408 m³/h
- Maximum extraction rate by recirculation operation: 300 m³/h
- Venting tube diameter: 15 cm

The capacity of ventilator

- Air flow by extraction version, step 1: 258 m³/h
- Air flow by extraction version, step 2: 356 m³/h
- Air flow by extraction version, step 3: 412 m³/h

- Air flow by extraction version, step 1: 250 m³/h
- Air flow by extraction version, step 2: 348 m³/h
- Air flow by extraction version, step 3: 408 m³/h

Control

- Mechanic control
- Control setting: Button control
- Number of speed positions: 3

- Mechanic control
- Control setting: Button control
- Number of speed positions: 3

Features

- Lamp type: LED
- On/off light switch
- Number of lights: 2
- Power of lights: 6 W

- Lamp type: LED
- On/off light switch
- Number of lights: 2
- Power of lights: 6 W

Equipment

- Filter material: Washable aluminium with polyurethane foam
- Number of motors: 1
- Motor type: Capacitor motor
- No return airflow flap: 150 mm

- Filter material: Washable aluminium with polyurethane foam
- Number of motors: 1
- Motor type: Capacitor motor
- No return airflow flap: 150 mm

Technical data

- Max. noise level: 65 dB(A)re 1 pW
- Product dimensions (WxD): 90 × 50 cm
- Height: 250 mm
- Min. height of the chimney: 545 mm
- Max. height of the chimney: 875 mm
- Annual energy consumption: 59,9 kWh
- EAN code: 3838782014239
- Code: 578590

- Max. noise level: 65 dB(A)re 1 pW
- Product dimensions (WxD): 60 × 50 cm
- Height: 250 mm
- Min. height of the chimney: 545 mm
- Max. height of the chimney: 875 mm
- Annual energy consumption: 61,5 kWh
- EAN code: 3838782014208
- Code: 578537

5
YEAR
WARRANTY2
YEAR
WARRANTY

NEW

DFGA 9575 BX

Down draft cooker hood

Superior Line

BHP 623 E11XUK

Built-in telescopic cooker hood

Essential Line



- Venting with air extraction or recirculation
- Material of housing: Stainless steel and glass
- Colour of housing: Stainless steel and black glass



- Venting with air extraction or recirculation
- Material of housing/chimney: Stainless steel and varnished metal
- Colour of housing/chimney: Stainless steel

Efficiency	<ul style="list-style-type: none"> - Maximum extraction rate by extraction operation: 610 m³/h - Maximum extraction rate by recirculation operation: 540 m³/h - Venting tube diameter: 15 cm 	<ul style="list-style-type: none"> - Maximum extraction rate by extraction operation: 368 m³/h - Maximum extraction rate by recirculation operation: 180 m³/h - Venting tube diameter: 15 cm
The capacity of ventilator	<ul style="list-style-type: none"> - Air flow by extraction version, step 1: 315 m³/h - Air flow by extraction version, step 3: 610 m³/h - Airflow boost position (PowerBoost 1) - extraction: 660 m³/h - Number of PowerBoost functions: 1 	<ul style="list-style-type: none"> - Air flow by extraction version, step 1: 267 m³/h - Air flow by extraction version, step 2: 338 m³/h - Air flow by extraction version, step 3: 368 m³/h
Control	<ul style="list-style-type: none"> - Electronic control - Control setting: Touch control - Timer function - Number of speed positions: 3 	<ul style="list-style-type: none"> - Mechanic control - Control setting: Button control - Number of speed positions: 3
Features	<ul style="list-style-type: none"> - Lamp type: LED - On/off light switch - Number of lights: 3 - Power of lights: 3 W - Perimetric suction 	<ul style="list-style-type: none"> - TouchFree Inox - Lamp type: LED - On/off light switch - Number of lights: 2 - Power of lights: 6 W
Equipment	<ul style="list-style-type: none"> - Filter material: Aluminium - Grease filter indicator - Washable grease filter - Number of motors: 1 - No return airflow flap: 150 mm 	<ul style="list-style-type: none"> - Filter material: Washable aluminium with polyurethane foam - Number of motors: 1 - Motor type: Capacitor motor - No return airflow flap: 150 mm
Technical data	<ul style="list-style-type: none"> - Max. noise level: 62 dB(A)re 1 pW - Product dimensions (WxD): 82,6 × 9,2 cm - Height: 740 mm - Annual energy consumption: 107,5 kWh - EAN code: 3838942787546 - Code: 378269 	<ul style="list-style-type: none"> - Max. noise level: 71 dB(A)re 1 pW - Product dimensions (WxD): 60 × 30,5 cm - Height: 170 mm - Annual energy consumption: 55 kWh - EAN code: 3838942136856 - Code: 565734





EXTRA FRESHNESS, EXTRA VITAMINS.

NatureFresh Built-in fridge freezers

When it comes to producing food that is fresh, full of taste and rich in nutritional value, nature has always known best. It provides just the right combination of sunshine, fresh air and moisture for optimum growth and maximum flavour. That is why the new **NatureFresh built-in fridge freezers** from Gorenje mimic the natural conditions by maintaining the photosynthesis process, controlling the humidity levels and providing fresher air. Additionally, Gorenje NatureFresh built-in fridge freezers have high energy ratings, ranging from A+ to A+++ and their modular and flexible design ensures they will suit every lifestyle perfectly.



CrispZone with VitaLight and SmartHumidity Just like garden-fresh

One of the largest fruit and vegetables bins in the market, CrispZone extends the freshness of your produce with low temperature, automatic humidity control and special light. SmartHumidity keeps the humidity in the drawer at optimum level

at all times thanks to a special membrane which automatically lets out excess moisture. VitaLight maintains the natural ripening process to retain vitamins and keep freshly picked or bought fruit and vegetables fresh and crisp for a longer time.



IonAir with DynamiCooling Keeps only the pleasant aromas

Air enriched with extra negative ions preserves taste and removes unpleasant odours, while the advanced fan system equalizes the temperature throughout the entire refrigerator and

evenly distributes ionized air, ensuring any type of food can be placed on any shelf.



AdaptTech

A fridge freezer that recognizes your habits

This smart system was devised to maintain the optimum temperature in the refrigerator regardless of how frequently you open the door. When the door is opened, the temperature suddenly rises and the food is exposed to a thermal shock which in turn causes it to perish sooner. The refrigerator continuously monitors and analyzes the way you use it. Thus, it can predict when you will open the fridge door and just before you do, it decreases the temperature by 1 or 2 °C to make sure constant temperature is maintained, ensuring the food stays fresh and full of nutrients.



NoFrost DualAdvance

Optimum double air circulation system

Intensive circulation of cool air in the freezer compartment reduces the humidity level and prevents accumulation of frost on the food and ice on the freezer walls. In the refrigerator compartment, it provides optimum food storage conditions. This leads to optimum cooling and freezing control, each adjusted to the respective processes in the two separate parts of the appliance.

- No more freezer defrosting
- Frozen food will no longer stick together.
- Quality frozen food
- Better view of the contents
- More space
- No exchange of odours between the freezer and refrigerator compartment
- Fresh food will not dry out and remain fresh longer.



FreshZone

Fresh as if straight from nature

The drawer with the lowest temperature in the refrigerator is ideal for storing meat, fish, fruit, and vegetables. It will preserve the food's freshness, aroma, colour, and flavour for much longer.



LedLight

Well-arranged and efficient

LED lighting in refrigerators provides excellent and highly efficient illumination. Its useful life is thirty times as long as that of conventional light bulbs, and it saves up to ten times as much power.



MultiAdjust shelves

Endless storage possibilities

These sturdy glass shelves can be very easily adjusted in position, inserted into the fridge or taken out, thereby allowing you complete freedom to adjust the fridge interior according to your specific needs. The tempered glass shelves are highly durable and will securely carry even larger amounts of food.



MixBox

Keep your fridge neat and tidy

This shallow drawer will store all your smaller items, like spreads, butter, fish cans and snacks making sure your fridge is organized and food doesn't stay forgotten past its due date. Its slide in-and-out function ensures easy access to its content.



FastFreeze Rapid freezing

The FastFreeze function freezes the food at $-24\text{ }^{\circ}\text{C}$ to preserve most of the minerals in the food. After approximately 2 days, the function is switched off automatically and the freezer compartment temperature returns to the initial setting. And in case you forget, smart sensors make sure the function is switched on at the right time.



XXL SpaceBox Enough space to store a turkey

This freezer compartment drawer is the largest in the appliance and it is ideal for storing large items like a turkey, several pizzas, or even cakes.



SuperCool Rapid cooling after weekly shopping

The intensive cooling function drops the refrigerator temperature to $3\text{ }^{\circ}\text{C}$, which is lower than usual by nearly a half. Combined with large refrigerator compartment volume, this temperature is ideal for rapid cooling of food after major shopping trips. After six hours, the function is switched off automatically and the refrigerator compartment temperature returns to the initial setting. And in case you forget, smart sensors make sure the function is switched on at the right time.



MultiBox Multi-functional, practical box

The multi-purpose bin with a lid in the refrigerator door can be used for storing cheese, onions, and other food with a pungent smell. It keeps the food fresh and protects it from drying, while the silicone cover can be used as an egg or ice tray.



 **Deep door bottle shelf**
Secure storage for bottles

Refrigerator door has plenty of storage for the largest glass or plastic bottles. A special fence holds the items in place to

prevent it from moving and damage while the door is opened or closed.



 **Bottle holder**
The right place for bottles and cans

In Gorenje refrigerators, bottles do not take up the space that could be conveniently used to store other items in the refrigerator door racks or on glass shelves; the designated bottle holder ensures optimum use of storage space.



 **FrostLess**
Less ice, more energy saving

Improved insulation effectively reduces the accumulation of frost on the food and ice in the appliance interior. This means less tedious defrosting and a lower electricity bill.



Flat hinge

Easier door opening and closing

The heavy-duty hinge allows storing heavier items in the door bins, as well as opening the door to an angle of 115°. This allows a clearer look of the interior and makes loading the fridge and taking the food from it more convenient as the door won't keep closing. If the door is left ajar, the hinge will fully close it to save power.



Compressor featuring valve technology

Separate temperature adjustment for refrigerator and freezer

Unlike conventional single-compressor models, those featuring a single compressor with a valve allow separate temperature setting for the refrigerator and freezer compartment. Moreover, cooling for the refrigerator compartment can be switched off while the freezer compartment continues to operate.



A++

Top energy efficiency

All Gorenje fridge freezers are highly energy-efficient. Excellent thermal insulation and door sealing, inverter compressor, and electronic or mechanical control efficiently reduce power consumption. Fridge freezers with the A++ energy efficiency rating use 40% less power than those in the A class.



Side-by-side layout

The perfect couple for your kitchen

The side-by-side layout option allows you to maximise the use of available storage space within a limited surface area and fully adapt it to your needs, as you can combine different appliances (fridges, freezers and even wine chillers).



NRKI 5182 A1UK Advanced Line

Built-in integrated fridge freezer



- Colour: White
- Reversible door opening
- Door material: Steel sheet
- Door to door hinge
- Climate class: SN, ST, N, T

RKI 5182 A1UK Advanced Line

Built-in integrated fridge freezer



- Colour: White
- Reversible door opening
- Door material: Steel sheet
- Door to door hinge
- Climate class: SN, ST, N, T

Efficiency	<ul style="list-style-type: none"> - 1 compressor - Total gross/net volume: 269 / 248 l - Capacity of cooling compartment: gross/net: 183 / 180 l - Capacity of freezer compartment: gross/net: 86 / 68 l - Freezing capacity in 24 hours: 8 kg / 24h - Power cut safe time: 16 h 	<ul style="list-style-type: none"> - 1 compressor - Total gross/net volume: 263 / 258 l - Capacity of cooling compartment: gross/net: 190 / 187 l - Capacity of freezer compartment: gross/net: 73 / 71 l - Freezing capacity in 24 hours: 3,5 kg / 24h - Power cut safe time: 18 h
Control	<ul style="list-style-type: none"> - Electronic control - LED display - Sound alarm for open door - Digital temperature indicator for refrigerator - Sound and visual signal for high temperature in refrigerator: white signal 	<ul style="list-style-type: none"> - Electronic control - LED display - Sound alarm for open door - Digital temperature indicator for refrigerator - Sound and visual signal for high temperature in refrigerator: white signal
Features	<ul style="list-style-type: none"> - AdaptTech cooling: Memorizing intelligent system - NoFrost DualAdvance - Fan-assisted cooling in fridge // IonAir with DynamiCooling - FastFreeze 	<ul style="list-style-type: none"> - AdaptTech cooling: Memorizing intelligent system - FrostLess - Fan-assisted cooling in fridge // IonAir with DynamiCooling - FastFreeze
Equipment of refrigerator	<ul style="list-style-type: none"> - LED strip on the ceiling // 5 glass shelves // MultiAdjust shelves // The wire bottle rack // 2 door trays // 1 single door bottle container with fixed stopper // 1 MultiBox container // CrispZone with VitaLight and SmartHumidity // FreshZone drawer 	<ul style="list-style-type: none"> - LED strip on the ceiling // 5 glass shelves // MultiAdjust shelves // The wire bottle rack // 2 door trays // 1 single door bottle container with fixed stopper // 1 MultiBox container // CrispZone with VitaLight and SmartHumidity // FreshZone drawer
Equipment of freezer	<ul style="list-style-type: none"> - SpaceBox 38 l - Freezing compartment: 3 drawers - 2 glass shelves 	<ul style="list-style-type: none"> - SpaceBox 38 l - Freezing compartment: 3 drawers - 2 glass shelves
Technical data	<ul style="list-style-type: none"> - Energy consumption kWh/24h: 0,63 kWh - Energy consumption kWh/year: 230 kWh - Level of noise (max.): 39 dB(A)re 1 pW - Product dimensions (HxWxD): 177,2 × 55,5 × 54,5 cm - Niche dimensions min-max (HxWxD): 177,5-178 × 56-57 × 56 cm - EAN code: 3838782051777 - Code: 728891 	<ul style="list-style-type: none"> - Energy consumption kWh/24h: 0,616 kWh - Energy consumption kWh/year: 225 kWh - Level of noise (max.): 38 dB(A)re 1 pW - Product dimensions (HxWxD): 177,2 × 55,5 × 54,5 cm - Niche dimensions min-max (HxWxD): 177,5-178 × 56-57 × 56 cm - EAN code: 3838782051760 - Code: 728890

2
YEAR
WARRANTYNEW
02
YEAR
WARRANTYNEW
0

RI 5182 A1UK

Built-in integrated refrigerator

Advanced Line

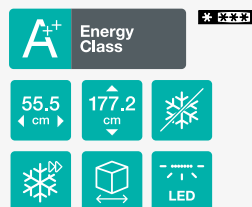
FNI 5182 A1UK

Built-in upright freezer

Advanced Line



- Colour: White
- Reversible door opening
- Door material: Steel sheet
- Door to door hinge
- Climate class: SN, ST, N, T



- Colour: White
- Door material: Reversible door opening
- Steel sheet
- Door to door hinge
- Climate class: SN, ST, N, T

Efficiency

- 1 compressor
- Total gross/net volume: 305 / 301 l
- Capacity of cooling compartment: gross/net: 305 / 301

- Total gross/net volume: 235 / 212 l
- Freezing capacity in 24 hours: 10 kg
- Power cut safe time: 20 h

Control

- Electronic control
- LED display
- Sound alarm for open door
- Digital temperature indicator for refrigerator
- Sound and visual signal for high temperature in refrigerator: white signal

- Electronic control
- LED display
- Automatic defrost freezer
- NoFrost
- Digital temperature indicator for freezer // Sound alarm for open door

Features

- AdaptTech cooling: Memorizing intelligent system
- Fan-assisted cooling in fridge
- IonAir with DynamiCooling
- SuperCool

- FastFreeze

Equipment of refrigerator

- LED strip on the ceiling // 7 glass shelves // MultiAdjust shelves // The wire bottle rack // 4 door trays // 2 single door bottle containers with fixed stopper // 1 MultiBox container // MixBox // CrispZone with VitalLight and SmartHumidity // FreshZone drawer

Equipment of freezer

- Illuminated interior of freezer compartment: LED light
- 7 glass shelves
- SpaceBox 38 l
- Freezing compartment: 1 door, 7 drawers

Technical data

- Energy consumption kWh/24h: 0,309 kWh
- Energy consumption kWh/year: 113 kWh
- Level of noise (max.): 37 dB(A)re 1 pW
- Product dimensions (HxWxD): 177,2 × 55,5 × 54,5 cm
- Niche dimensions min-max (HxWxD): 177,5-178 × 56-57 × 56 cm
- EAN code: 3838782051753
- Code: 728887

- Energy consumption kWh/24h: 0,667 kWh
- Energy consumption kWh/year: 243 kWh:
- Level of noise (max.): 39 dB(A)re 1 pW
- Product dimensions (HxWxD): 177,2 × 55,5 × 54,5 cm
- Niche dimensions min-max (HxWxD): 177,5-178 × 56-57 × 56 cm
- EAN code: 3838782052149
- Code: 728889

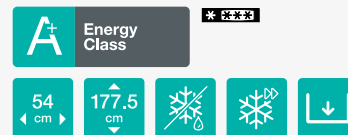


NRKI 4181 CW Advanced Line

Built-in integrated fridge freezer

NRCI 4181 CW Advanced Line

Built-in integrated fridge freezer



- Colour: White
- Reversible door opening
- Door material: Steel sheet
- Sliding door hinge
- Climate class: SN, ST, N

- Colour: White
- Reversible door opening
- Door material: Steel sheet
- Sliding door hinge
- Climate class: SN, ST, N

Efficiency	<ul style="list-style-type: none"> - 1 compressor - Total gross/net volume: 278 / 262 l - Capacity of cooling compartment: gross/net: 203 / 202 l - Capacity of freezer compartment: gross/net: 75 / 60 l - Freezing capacity in 24 hours: 3 kg / 24h - Power cut safe time: 13 h 	<ul style="list-style-type: none"> - 1 compressor - Total gross/net volume: 267 / 250 l - Capacity of cooling compartment: gross/net: 163 / 162 l - Capacity of freezer compartment: gross/net: 104 / 88 l - Freezing capacity in 24 hours: 4 kg / 24h - Power cut safe time: 12 h
Control	- Electronic control	- Electronic control
Features	<ul style="list-style-type: none"> - NoFrost DualAdvance - FastFreeze - Programme Eco 	<ul style="list-style-type: none"> - NoFrost DualAdvance - FastFreeze - Programme Eco
Equipment of refrigerator	<ul style="list-style-type: none"> - LED interior light on the ceiling - 5 glass shelves - The wire bottle rack - 2 door trays, 1 tray with lid - 1 single door bottle container with fixed stopper - Flexible egg tray (12x) - 2 vegetable drawers 	<ul style="list-style-type: none"> - Standard interior light on the ceiling - 4 glass shelves - 1 door tray, 1 tray with lid - 1 single door bottle container with fixed stopper - 2 vegetable drawers
Equipment of freezer	<ul style="list-style-type: none"> - 2 storage drawers - 1 compartment with door for frozen food - 1 ice tray 	<ul style="list-style-type: none"> - 3 drawers for storage of frozen food - 1 compartment with door for frozen food - 1 ice tray
Technical data	<ul style="list-style-type: none"> - Energy consumption kWh/24h: 0.767 kWh - Energy consumption kWh/year: 280 kWh - Level of noise (max.): 42 dB(A)re 1 pW - Product dimensions (HxWxD): 177.5 x 54 x 54.5 cm - Niche dimensions min-max (HxWxD): 177.5-178 x 56-57 x 56 cm - EAN code: 3838942922503 - Product code: 418695 	<ul style="list-style-type: none"> - Energy consumption kWh/24h: 0.805 kWh - Energy consumption kWh/year: 294 kWh - Level of noise (max.): 42 dB(A)re 1 pW - Product dimensions (HxWxD): 177.5 x 54 x 54.5 cm - Niche dimensions min-max (HxWxD): 177.5-178 x 56-57 x 56 cm - EAN code: 3838942818028 - Product code: 393916



RKI 4181 AWW Essential Line

Built-in integrated fridge freezer

RCI 4181 AWW Essential Line

Built-in integrated fridge freezer



- Colour: White
- Reversible door opening
- Door material: Steel sheet
- Sliding door hinge
- Climate class: SN, ST, N

- Colour: White
- Reversible door opening
- Door material: Steel sheet
- Sliding door hinge
- Climate class: SN, ST, N

Efficiency	<ul style="list-style-type: none"> - 1 compressor - Total gross/net volume: 254 / 238 l - Capacity of cooling compartment: gross/net: 142 / 140 l - Capacity of freezer compartment: gross/net: 112 / 98 l - Freezing capacity in 24 hours: 4,5 kg / 24h - Power cut safe time: 15 h 	<ul style="list-style-type: none"> - 1 compressor - Total gross/net volume: 258 / 242 l - Capacity of cooling compartment: gross/net: 177 / 173 l - Capacity of freezer compartment: gross/net: 81 / 69 l - Freezing capacity in 24 hours: 9 kg / 24h - Power cut safe time: 14 h
Control	- Mechanic control	- Mechanic control
Features	<ul style="list-style-type: none"> - Fan-assisted cooling in fridge - SuperCool - FastFreeze 	<ul style="list-style-type: none"> - Fan-assisted cooling in fridge - SuperCool - FastFreeze
Equipment of refrigerator	<ul style="list-style-type: none"> - Standard interior light by side - 3 glass shelves - The wire bottle rack - 3 door trays, 2 trays with lid - 1 single door bottle container with fixed stopper - Flexible egg tray (6×) - 2 vegetable drawers 	<ul style="list-style-type: none"> - Standard interior light by side - 4 glass shelves - The wire bottle rack - 4 door trays, 2 trays with lid - 1 single door bottle container with fixed stopper - 2 egg racks (6×) - 2 vegetable drawers
Equipment of freezer	<ul style="list-style-type: none"> - 3 drawers for storage of frozen food - 1 drawer for freezing 	<ul style="list-style-type: none"> - 2 storage drawers - 1 drawer for freezing
Technical data	<ul style="list-style-type: none"> - Energy consumption kWh/24h: 0.761 kWh - Energy consumption kWh/year: 278 kWh - Level of noise (max.): 40 dB(A)re 1 pW - Product dimensions (HxWxD): 177.5 × 54 × 54.5 cm - Niche dimensions min-max (HxWxD): 177.5-178 × 56-57 × 55 cm - EAN code: 3838942815973 - Product code: 392701 	<ul style="list-style-type: none"> - Energy consumption kWh/24h: 0.726 kWh - Energy consumption kWh/year: 265 kWh - Level of noise (max.): 40 dB(A)re 1 pW - Product dimensions (HxWxD): 177.5 × 54 × 54.5 cm - Niche dimensions min-max (HxWxD): 177.5-178 × 56-57 × 55 cm - EAN code: 3838942815980 - Product code: 392704

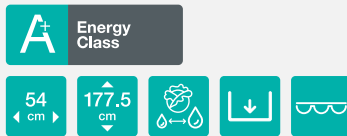


RI 4181 AW Built-in integrated refrigerator

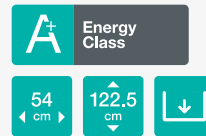
Essential Line

RI 4121 AW Built-in integrated refrigerator

Essential Line



- Colour: White
- Reversible door opening
- Door material: Steel sheet
- Sliding door hinge
- Climate class: SN, ST, N



- Colour: White
- Reversible door opening
- Door material: Steel sheet
- Sliding door hinge
- Climate class: SN, ST, N

Efficiency

- 1 compressor
- Total gross/net volume: 327 / 326 l
- Capacity of cooling compartment: gross/net: 327 / 326 l

- 1 compressor
- Total gross/net volume: 214 / 213 l
- Capacity of cooling compartment: gross/net: 214 / 213 l

Control

- Mechanic control

- Mechanic control

Features

Equipment of refrigerator

- Standard interior light by side
- 7 glass shelves
- The wire bottle rack
- 4 door trays, 1 tray with lid
- 1 single door bottle container with fixed stopper
- 2 vegetable drawers
- CrispZone with HumidityControl

- Standard interior light by side
- 5 glass shelves
- 3 door trays, 1 tray with lid
- 1 single door bottle container with sliding stopper
- 2 egg racks (6x)
- 1 vegetable drawer

Equipment of freezer

Technical data

- Energy consumption kWh/24h: 0.394 kWh
- Energy consumption kWh/year: 144 kWh
- Level of noise (max.): 40 dB(A)re 1 pW
- Product dimensions (HxWxD): 177.5 × 54 × 54.5 cm
- Niche dimensions min-max (HxWxD): 177.5-178 × 56-57 × 56 cm
- EAN code: 3838942816963
- Product code: 392706

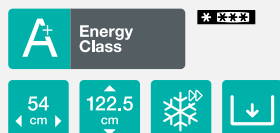
- Energy consumption kWh/24h: 0.355 kWh
- Energy consumption kWh/year: 130 kWh
- Level of noise (max.): 41 dB(A)re 1 pW
- Product dimensions (HxWxD): 122.5 × 54 × 54.5 cm
- Niche dimensions min-max (HxWxD): 122.5-123 × 56-57 × 55 cm
- EAN code: 3838942819421
- Product code: 393918



RBI 4121 AW

Built-in integrated refrigerator

Essential Line

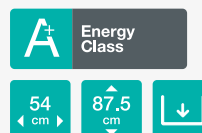


- Colour: White
- Reversible door opening
- Door material: Steel sheet
- Sliding door hinge
- Climate class: SN, ST, N

RI 4091 AW

Built-in integrated refrigerator

Essential Line

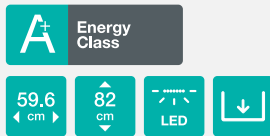


- Colour: White
- Reversible door opening
- Door material: Steel sheet
- Sliding door hinge
- Climate class: ST, N

Efficiency	<ul style="list-style-type: none"> - 1 compressor - Total gross/net volume: 205 / 202 l - Capacity of cooling compartment: gross/net: 188 / 185 l - Capacity of freezer compartment: gross/net: 17 / 17 l - Freezing capacity in 24 hours: 2 kg / 24h - Power cut safe time: 12 h 	<ul style="list-style-type: none"> - 1 compressor - Total gross/net volume: 146 / 145 l - Capacity of cooling compartment: gross/net: 146 / 145 l
Control	- Mechanic control	- Mechanic control
Features	- FastFreeze	
Equipment of refrigerator	<ul style="list-style-type: none"> - Standard interior light by side - 4 glass shelves - 3 door trays, 1 tray with lid - 1 single door bottle container with sliding stopper - 2 egg racks (6x) - 1 vegetable drawer 	<ul style="list-style-type: none"> - Standard interior light by side - 4 glass shelves - 2 door trays, 1 tray with lid - 1 single door bottle container with sliding stopper - 2 egg racks (6x) - 1 vegetable drawer
Equipment of freezer	<ul style="list-style-type: none"> - 1 compartment with door for frozen food - 1 ice tray 	
Technical data	<ul style="list-style-type: none"> - Energy consumption kWh/24h: 0.607 kWh - Energy consumption kWh/year: 222 kWh - Level of noise (max.): 41 dB(A)re 1 pW - Product dimensions (HxWxD): 122.5 × 54 × 54.5 cm - Niche dimensions min-max (HxWxD): 122.5-123 × 56-57 × 55 cm - EAN code: 3838942819445 - Product code: 393924 	<ul style="list-style-type: none"> - Energy consumption kWh/24h: 0.331 kWh - Energy consumption kWh/year: 121 kWh - Level of noise (max.): 38 dB(A)re 1 pW - Product dimensions (HxWxD): 87.5 × 54 × 54.5 cm - Niche dimensions min-max (HxWxD): 87.5-88 × 56-57 × 55 cm - EAN code: 3838942819438 - Product code: 393922



RIU 6F091 AWUK Essential Line
Built under integrated refrigerator



- Colour: White
- Reversible door opening
- Door material: Steel sheet
- Door hinge: Door to door hinge
- Climate class: SN, ST, N

Efficiency

- 1 compressor
- Total gross/net volume: 144 / 143 l
- Capacity of cooling compartment: gross/net: 144 / 143 l

Control

- Mechanic control

Features

Equipment of refrigerator

- LED bulb on side
- 3 glass shelves
- 1 SimpleSlide height adjustable door tray
- 1 single door bottle container without stopper
- 1 MultiBox container
- 1 big glass pull-out tray
- 1 vegetable drawer
- Ventilation with fan through base

Equipment of freezer

-

Technical data

- Energy consumption kWh/24h: 0.323 kWh
- Level of noise (max.): 37 dB(A)re 1 pW
- Dimensions (HxWxD): 82 × 59.6 × 54,5 cm
- Niche dimensions min-max (HxWxD): 82-90 × 60 × 55 cm
- EAN code: 3838942104206
- Code: 538854



RBIU 6F091 AWUK Essential Line
Built under integrated refrigerator



- Colour: White
- Reversible door opening
- Door material: Steel sheet
- Door hinge: Door to door hinge
- Climate class: ST, N

Efficiency

- 1 compressor
- Total gross/net volume: 130 / 126 l
- Capacity of cooling compartment: gross/net: 109 / 105 l
- Capacity of freezer compartment: gross/net: 21 / 21 l
- Freezing capacity in 24 hours: 2 kg / 24h
- Power cut safe time: 12 h

Control

- Mechanic control

Features

Equipment of refrigerator

- LED bulb on side
- 2 glass shelves
- 1 SimpleSlide height adjustable door tray
- 1 single door bottle container without stopper
- 1 MultiBox container
- 1 big glass pull-out tray
- 1 vegetable drawer
- Ventilation with fan through base

Equipment of freezer

- Freezing compartment: 1 door

Technical data

- Energy consumption kWh/24h: 0.493 kWh
- Level of noise (max.): 38 dB(A)re 1 pW
- Dimensions (HxWxD): 82 × 59.6 × 54,5 cm
- Niche dimensions min-max (HxWxD): 82-90 × 60 × 55 cm
- EAN code: 3838942104213
- Code: 538855



FI 4091 AW

Built-in upright freezer

Essential Line

FIU 6F091 AWUK

Built under integrated upright freezer

Essential Line



- Colour: White
- Reversible door opening
- Climate class: SN, ST, N
- Sliding door hinge



- Colour: White
- Reversible door opening
- Door hinge: Door to door hinge
- Climate class: SN, ST, N

Efficiency	<ul style="list-style-type: none"> - 1 compressor - Total gross/net volume: 103 / 86 l - Freezing capacity in 24 hours: 13 kg - Power cut safe time: 15 h 	<ul style="list-style-type: none"> - 1 compressor - Total gross/net volume: 96 / 86 l - Freezing capacity in 24 hours: 8 kg - Power cut safe time: 17 h
Control	<ul style="list-style-type: none"> - Electronic control SensoTech - Manual controlled defrost freezer - Visual signal for high temperature in freezer: red signal 	<ul style="list-style-type: none"> - Electronic control - Manual controlled defrost freezer - Visual signal for high temperature in freezer: red signal
Features	<ul style="list-style-type: none"> - FastFreeze 	<ul style="list-style-type: none"> - FastFreeze
Equipment of freezer	<ul style="list-style-type: none"> - 3 drawers for storage of frozen food - 1 drawer for freezing 	<ul style="list-style-type: none"> - 2 drawers for storage of frozen food - 1 drawer for freezing
Technical data	<ul style="list-style-type: none"> - Energy consumption kWh/24h: 0.512 kWh - Energy consumption kWh/year: 187 kWh - Level of noise (max.): 40 dB(A)re 1 pW - Product dimensions (HxWxD): 87.5 × 54 × 54.5 cm - Niche dimensions min-max (HxWxD): 87.5-88 × 56-57 × 55 cm - EAN code: 3838942819452 - Product code: 393926 	<ul style="list-style-type: none"> - Energy consumption kWh/24h: 0.487 kWh - Level of noise (max.): 39 dB(A)re 1 pW - Dimensions (HxWxD): 82 × 59.6 × 54,5 cm - Niche dimensions min-max (HxWxD): 82-90 × 60 × 55 cm - EAN code: 3838942104329 - Code: 538838





FULLY QUALIFIED TO DO YOUR JOB.

Smartflex dishwashers from Gorenje

The new SmartFlex dishwashers are inspired by modern lifestyle. Because our everyday life can be quite dynamic we created a generation of dishwasher that takes the load of your shoulders with the help of many advanced features.

The interior is designed in such a way that every dish and piece of cutlery has its place, no matter the shape or size. The baskets are equipped with highlighted movable elements and a customizable basket layout for easy loading, while the cutlery can be perfectly organized on a special tray where it can thoroughly dry out after washing. Furthermore, the SmartFlex dishwashers offer you a variety of helpful functions: a wide range of fast washing options that are among the best in the market and can take care of any load in no time, automatic opening of the door for releasing steam and letting the dishes dry out and the dissolving of bad odors through the natural process of ionization.



16 place settings

As flexible as your time will be

The SmartFlex dishwashers offer enough space for all your needs. Three baskets enable washing up to 16 place settings

at a time. The fully flexible interior allows for different loading options, the use is simple and the washing effects are perfect.



15 min SpeedWash

Clean fast so you can slow down

Imagine throwing a dinner party and the dishes from the main course are cleaned in the time it takes to serve dessert. A quick 20 min programme with the SpeedWash function will do your dishes in only 15 minutes. Perfect for handling the volume of dishes created by having multiple guests in the house.



TotalDry

Takes care of itself

After the washing cycle, the dishwasher door automatically opens just slightly to let out the excess steam. This allows fresh air to reach the crockery so the washed items, like plastic dishes, dry completely. Excellent for quick drying with low energy consumption.



AutoProgramme

Party for two or twelve – the dishes will be spotlessly clean

Sometimes all you need is to give the glassware a light rinse, on other occasions your dishwasher is full of heavy dishes left over from Sunday lunch. The advanced sensor technology will always adjust your dishwashing programme to clean dishes perfectly with optimized water and energy consumption. You do not need special programmes for glass or intensive cleaning – the single AutoProgramme will adapt to all your needs.



ExtraHygiene

Always a clean baby bottle

This option prolongs washing time and increases temperature for 5°C which in combination with intensive programme enables temperature of 75°C, which eliminates most of bacteria. The program that mimics the sterilization process is made for families with babies, for cleaning baby utensils and bottles.



Total AquaStop

Do not worry about water spillage

With the AquaStop safety feature, the dishwasher can be safely left to operate at night as well as in your absence. In case of a leakage or flooding, AquaStop automatically cuts off the water supply while the pump siphons the residual water out of the dishwasher basin. AquaStop remains fully functional over the lifespan of the appliance.



Hot water connection

Higher temperature, lower consumption

Gorenje dishwashers can also be connected to hot water (max. 70 °C) instead of cold. Choosing a hot water connection cuts programme times and reduces the dishwasher's electricity consumption. An environmentally and budget friendly solution for your family.



SmartControl

Simple and intuitive

Navigating your dishwasher has never been easier. All the controls are located at an ergonomic position with a straightforward left-to-right logic of operation. While all models

excel with the white LED display, some of the more advanced models are also enriched with touch control. Just one touch is enough to start the dishwashing process.



Status LedLight

Always in control

The special LED lamp installed on the lower part of the dishwasher door constantly indicates the current stage of the dishwashing program. That way you always know whether you can safely add dishes or if your dishwasher is in intensive washing state, whether the drying process has already started or if the washing cycle is over.



SuperSilent

No louder than a whisper

The most silent dishwashers operate at declared noise level of 45 dB which is equivalent to a whispering conversation of two persons. The silent operation comes as a result of special sound insulation, efficient motors, high-quality materials and innovative solutions of the dishwashing system.

2
YEAR
WARRANTY

NEW

2
YEAR
WARRANTY

NEW

GV 66260 UK

Fully integrated dishwasher

Superior Line

GV 64160 UK

Fully integrated dishwasher

Advanced Line



Efficiency	- Max. temperature of inflow water: 70 °C - Asynchronous single phase motor	- Max. temperature of inflow water: 70 °C - Asynchronous single phase motor
Control	- TouchControl	- Control: Button
Programmes	- Washing temperature(s): 70, 65, 55, 45, 35 °C - 5 programmes: Automatic programme; Intensive programme; Eco programme; Rinsing; Quick programme 20 - Reference programme: 3 - Memory programme - Automatic programme - QuickIntensive programme	- Washing temperature(s): 70, 65, 55, 45, 35 °C - 5 programmes: Automatic programme; Intensive programme; Eco programme; Rinsing; Quick programme 20 - Reference programme: 3 - Memory programme - Automatic programme - QuickIntensive programme
Features	- 16 place settings // SpeedWash function // TotalDry – automatic door opening // ExtraHygiene // Function 3 in 1 // Status Light // Visual indicator for wash finish on control panel // Voice signal for the end of washing cycle // Sliding door	- 13 place settings // SpeedWash function // Half load // TotalDry – automatic door opening // Function 3 in 1 // Visual indicator for wash finish on control panel
UseLogic technology	- Start delay up to 24 hours	- Start delay up to 24 hours
Equipment	- Number of baskets: 3 // Upper basket system: MultiClack // Foldable bottom plate baskets // Number of water jet levels: 5 // Number of spray arms: 3 // Selfcleaning filter // Upper basket: Wide mesh base; Handle with plastic logotype; Foldable left CupHolder; Foldable right CupHolder; Wide knife stand; One foldable glass support // Lower basket: Wide mesh base; Handle with stainless steel logotype; Foldable/divisible rear pin row // Top tray: With telescopic rails; Handle with stainless steel logotype	- Number of baskets: 2 // Upper basket system: MultiClack // Foldable bottom plate baskets // Number of water jet levels: 4 // Number of spray arms: 2 // Selfcleaning filter // Upper basket: Wide mesh base; Handle with plastic logotype; Foldable left CupHolder; Foldable right CupHolder; Fixed pin rows; Fixed glass support; Standard knife stand // Lower basket: Wide mesh base; Handle with plastic logotype; Foldable/divisible rear pin row; Cutlery basket
Safety	- Total AquaStop - Service diagnostics - Stainless steel tub	- Total AquaStop - Service diagnostics - Stainless steel tub
Consumption data (IEC standard EN 50242)	- Water consumption: 9,5 l - Energy consumption - normal program: 0,86 kWh - Estimated annual water consumption: 2660 l	- Water consumption: 9,5 l - Energy consumption - normal program: 0,92 kWh - Estimated annual water consumption: 2660 l
Technical data	- Height setting: 50 mm - Level of noise (max.): 45 dB(A)re 1 pW - Product dimensions (HxWxD): 81,7 × 59,6 × 55,6 cm - Niche dimensions (HxWxD): 82 × 60 × 57 cm - EAN code: 3838782040658 - Code: 728248	- Height setting: 50 mm - Level of noise (max.): 47 dB(A)re 1 pW - Product dimensions (HxWxD): 81,7 × 59,6 × 55,6 cm - Niche dimensions (HxWxD): 82 × 60 × 57 cm - EAN code: 3838782040870 - Code: 728196



GV 61010 UK

Fully integrated dishwasher

Essential Line

GV 55110 UK

Fully integrated dishwasher

Advanced Line



Efficiency	<ul style="list-style-type: none"> - Max. temperature of inflow water: 60 °C - Asynchronous single phase motor 	<ul style="list-style-type: none"> - Max. temperature of inflow water: 60 °C - Asynchronous single phase motor
Control	<ul style="list-style-type: none"> - On/Off indicator - Control: Button 	<ul style="list-style-type: none"> - On/Off indicator - Control: Button
Programmes	<ul style="list-style-type: none"> - Washing temperature(s): 65, 60, 55, 45 °C - 5 programmes: Normal; Quick programme; Intensive programme; Quick intensive programme; Eco programme - Reference programme: 3 	<ul style="list-style-type: none"> - Washing temperature(s): 60, 55, 45, 35 °C - 5 programmes: Automatic programme; Intensive programme; Eco programme; Rinsing; Quick programme 20 - Reference programme: 3 - Automatic programme
Features	<ul style="list-style-type: none"> - 12 place settings - Function 3 in 1 - Voice signal for the end of washing cycle 	<ul style="list-style-type: none"> - 10 place settings - SpeedWash function - Half load - ExtraDry - Function 3 in 1 - Voice signal for the end of washing cycle
UseLogic technology	<ul style="list-style-type: none"> - Variable start delay up to 3/6/9 hours 	<ul style="list-style-type: none"> - Start delay up to 24 hours
Equipment	<ul style="list-style-type: none"> - Number of baskets: 2 - Upper basket system: Manual - Foldable bottom plate baskets - Number of water jet levels: 4 - Number of spray arms: 2 - Selfcleaning filter 	<ul style="list-style-type: none"> - Number of baskets: 3 - Upper basket system: Click-Clack system - Foldable bottom plate baskets - Number of water jet levels: 5 - Number of spray arms: 3 - Selfcleaning filter - Upper basket: Handle with plastic logotype - Lower basket: Handle with plastic logotype - Top tray: Handle with plastic logotype
Safety	<ul style="list-style-type: none"> - Total AquaStop - Service diagnostics - Stainless steel tub 	<ul style="list-style-type: none"> - Total AquaStop - Service diagnostics - Stainless steel tub
Consumption data (IEC standard EN 50242)	<ul style="list-style-type: none"> - Water consumption: 11 l - Energy consumption - normal program: 0,91 kWh - Estimated annual water consumption: 3080 l 	<ul style="list-style-type: none"> - Water consumption: 9 l - Energy consumption - normal program: 0,74 kWh - Estimated annual water consumption: 2520 l
Technical data	<ul style="list-style-type: none"> - Height setting: 50 mm - Level of noise (max.): 49 dB(A)re 1 pW - Product dimensions (HxWxD): 81,5 × 59,8 × 55 cm - Niche dimensions (HxWxD): 82 × 60 × 58 cm - EAN code: 3838782019791 - Code: 588561 	<ul style="list-style-type: none"> - Height setting: 50 mm - Level of noise (max.): 47 dB(A)re 1 pW - Product dimensions (HxWxD): 81,5 × 44,8 × 55 cm - Niche dimensions (HxWxD): 82 × 45 × 58 cm - EAN code: 3838782019784 - Code: 588538



WI 73140 Integrated washing machine

Essential Line



- Colour: White

WDI 73120 HK Integrated washer-dryer

Essential Line



Efficiency	<ul style="list-style-type: none"> - Standard collector motor - Spin speed: 1400 rpm - Washer load: 1-7 kg 	<ul style="list-style-type: none"> - Spin speed: 1200 rpm - Energy-saving electric heater - Washer load: 1-7 kg - Dryer load: 1-4 kg - Loading position: Front - Door opening angle: 110 ° - Water connection adapter: Cold
Control	<ul style="list-style-type: none"> - LED display - Pressetting time delay of start - Adjustable spin speed - Temperature setting - Cold wash: Knob 	<ul style="list-style-type: none"> - LED display - Temperature setting - Start delay: 24h - Audio signal SoftSound
Programmes	<ul style="list-style-type: none"> - 15 programmes - Basic programmes: Cotton, Synthetics, Delicate and silk, Wool, QuickWash, HandWash - Special programmes: SportWash, Eco 20°C, QuickWash 15', Shirts, Intensive, Cotton 20°C - Easy ironing 	<ul style="list-style-type: none"> - 15 programmes (13 washing and 2 drying programs) - Basic programmes: Cotton, Synthetics, Delicate and silk, Wool, HandWash - Special programmes: Easy ironing, Intensive
Features	<ul style="list-style-type: none"> - Selfcleaning filter - Audio signal SoftSound - Water connection adapter: Cold - Manual pull-out 	<ul style="list-style-type: none"> - Pump STOP - Audio signal SoftSound - Prewash selection - Easy ironing - Skip spin - Temperature setting - Quick wash programme - Extra rinsing - Shower system
Safety and durability	<ul style="list-style-type: none"> - Child protection (CDP) - Carbotech tub 	<ul style="list-style-type: none"> - Child protection (CDP) - Time-attendance door lock - Carbotech tub
Technical data	<ul style="list-style-type: none"> - Estimated yearly energy consumption: 218 kWh - Estimated yearly water consumption: 10340 l - Level of noise (max.): 72 dB(A)re 1 pW - Product dimensions (HxWxD): 82 × 59,6 × 56 cm - Niche dimensions (HxWxD): 82 × 60 × 58 cm - EAN code: 3838942730559 - Code: 466340 	<ul style="list-style-type: none"> - Estimated yearly energy consumption: 238 kWh - Estimated yearly water consumption: 9400 l - Level of noise washing (max.): 70 dB(A)re 1 pW - Noise level drying: 58 dB(A)re 1 pW - Product dimensions (HxWxD): 82 × 59,6 × 56 cm - Niche dimensions (HxWxD): 82 × 60 × 58 cm - EAN code: 3838942320651 - Code: 457255





MAGICALLY SIMPLE. SIMPLY BEAUTIFUL.

Just as a magician produces an illusion by the sleight of his hand, so you can flambé with the greatest of ease. Everything is possible with the new collection of kitchen appliances created by the famous French designer Ora Īto. They are simple, intuitive and integrate the best that technology has to offer. To top it all off they are visually stunning and convey a 'wow' effect – whether you choose the black or the white collection. Feel them. Touch them. Enjoy the timeless perfection of their design.



HomeMade shape
Abracadabra, perfectly baked!

Inspired by traditional wood-burning ovens, the characteristic rounded shape of Gorenje by Ora ito ovens enables hot air to move around freely. The food is heated evenly from all sides and always perfectly done: crispy on the outside and juicy on the inside.



PyroClean
And the oven is effortlessly clean

Pyrolytic cleaning is the simplest and most efficient way to clean an oven. The high temperature of up to 500 °C reduces all impurities to ashes, which just need to be wiped away with a damp cloth after the oven cools off. The process is absolutely safe and leaves the oven completely clean, without a spot of grease.



BigSpace
Impress with your creativity

Be the illusionist in your own home with the innovatively shaped Gorenje by Ora ito ovens, which offer increased capacity while maintaining their outside dimensions. Now the optimised airflow circulates at an even greater volume, allowing you to prepare even larger quantities of food.



MultiFlow 360°
You can do it all at once

You don't need magic powers to bake on five levels at the same time. Smartly positioned ventilation openings on the oven back wall together with the unique rounded shape guarantee optimal circulation of heat within the oven for simultaneous baking on many levels without smells or flavours mixing together.



PureSteam

No water, just steam

Thanks to the special steam generator, a cloud of pure steam is distributed all over the oven, without any drops of water that could spoil the food, making it soggy. It is also excellent for defrosting since warm steam evenly surrounds the food without creating hot spots.



MultiSteam 360°

Perfectly steamed every time

After the steam enters the oven cavity through multiple openings, a special fan distributes the steam evenly, giving the food a soft and tender feel. Just one water tank will do the trick!



StayWarm

Keeps your cooking delicious

The magic performance took longer than expected? Don't worry, the StayWarm function will keep your food at a constant

temperature of 70°C and ensure it retains its original flavour until the time is right to serve the meal.



WarmPlate

Add a touch of magic to your dishes

Warmed plates prevent the loss of flavour and ensure that food tastes every bit as good as it should: from soups to pastas and steamed vegetables. WarmPlate will keep your crockery at precisely the right temperature – anywhere between 30 °C and 80°C.



Yoghurt

When you want a healthy choice

This automatic temperature and time setting will provide optimal conditions for you to conjure a healthy homemade yoghurt in just a couple of hours.



PowerBoost

Make the most of your time

PowerBoost provides extreme heat intensity to the pot and significantly cuts waiting time. You will boil 2 litres of water in just under 6 minutes, giving you plenty of time to practice your magical performance.



BridgeZone

A simple plan for super-sized pots

Magically turn two separate cooking zones into one with just a simple touch. Cooking in large pots and pans has never been easier or more efficient.



BoilControl

Boiling over is now forgotten

This intelligent functions ensures the hob will supply enough power to rapidly reach the desired level, then regulates the heat output to hold the temperature at the set level. Your soup will never boil over again and you won't even have to say the magic words.



 **TouchControl**
Everything is under your control

The microwave oven can be simply operated by touch and even locked to ensure little hands won't play with it. There are no knobs

or buttons, which gives the oven a sleek look and allows easy cleaning.



 **AutoMenu**
The magic spell for simple cooking

A number of preset programs enables even simpler preparation of certain dishes. Just select the type of food and enter its weight, and the oven will automatically adjust the power and cooking time accordingly.



 **SmartDisplay**
One glance reveals everything

With the display that spans over the entire height of the microwave oven you will be able to monitor the cooking progress and track the time until your meal is prepared.



AdaptTech

So you can focus on the show

The hood detects the level of impurities and automatically adjusts the fan speed or even stops it completely when it is no longer

needed. And you can turn all your attention to your wonderful meal.



P.A.S. System

Silent and efficient

The innovative parametric air suction system redirects air extraction from the central part to the outer edges of the hood. This approach optimises energy consumption, reduces noise and makes air extraction considerably more efficient.



Timer and refresh

Always a fresh kitchen

The hood can be automatically switched off in 10, 20 or 30 minutes. The refresh function is activated every hour and automatically starts refreshing the air for five minutes.



BOP 747 ORA W

Built-in pyrolytic single oven



- Colour: White
- Handle colour: Natural anodized brushed aluminium
- Control panel material: Glass
- GentleClose door hinge

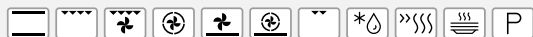
Efficiency

- Multifunctional oven BigSpace - 71 l
- SuperSize baking area
- HomeMADE® modelled on traditional wood-fired bread oven
- PerfectGrill

Control

- Electronic control
- Knob shape: Sinkable knobs
- IconTouch

Heating types



Features

- Double lightning
- Baking on different levels at the same time
- MultiFlow 360°

Equipment

- 1 Deep enameled baking pan // 2 Shallow enameled baking pans // 1 Wire shelf // 1 Meat Probe // Pyrolytic wire oven guides // Fully extendable telescopic guides - 3 levels

Safety

- Thermoelectric fuse // Dynamic oven cooling plus - DC+ // Triple glazed oven door with double heat deflector (UltraCoolDoor)

EasyCleaning

- Pyrolytic cleaning // SilverMatte // Smooth oven door surface

Technical data

- Energy consumption: 0,69 kWh (venting),
0,94 kWh (conventional)
- Connection rating: 3400 W
- Product dimensions (HxWxD): 59,5 × 59,5 × 54,6 cm
- Niche dimensions (HxWxD): 59 × 56 × 55 cm
- EAN code: 3838782025297
- Code: 728032



- BO 658 ORA B**
- Colour: Black
 - EAN code: 3838782025020
 - Code: 596273



BO 658 ORA W

Built-in single oven



- Colour: White
- Handle colour: Natural anodized brushed aluminium
- Control panel material: Glass
- GentleClose door hinge

Efficiency

- Multifunctional oven BigSpace - 65 l
- SuperSize baking area
- Surface of the largest baking pan: 1316 cm²
- HomeMADE® modelled on traditional wood-fired bread oven
- PerfectGrill

Control

- Electronic control
- DirecTouch

Heating types



Features

- Illumination
- Baking on different levels at the same time

Equipment

- 1 Deep enameled baking pan // 1 Shallow enameled baking pan // 1 Wire shelf // 1 Meat Probe // Partially extendable telescopic guides – 3 levels // Catalytic oven sides and backwall

Safety

- Thermoelectric fuse // Dynamic oven cooling plus - DC+ // Triple glazed oven door with one heat deflector (CoolDoor)

EasyCleaning

- EasyClean liners // AquaClean function // SilverMatte // Smooth oven door surface

Technical data

- Energy consumption: 0,67 kWh (venting),
0,92 kWh (conventional)
- Connection rating: 3300 W
- Product dimensions (HxWxD): 59,5 × 59,7 × 54,7 cm
- Niche dimensions min-max (HxWxD): 58,3-60 × 56-56,8 × 55 cm
- EAN code: 3838782025068
- Code: 596722



BCS 547 ORA W

Built-in compact steam oven



- Colour: White
- Handle colour: Natural anodized brushed aluminium
- Control panel material: Glass
- SoftOpen and GentleClose door hinge

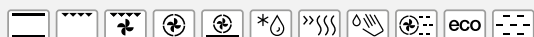
Efficiency

- Combined steam oven - 50 l
- SuperSize baking area
- HomeMADE modelled on traditional wood-fired bread oven
- MultiSteam 360°

Control

- Electronic control
- Knob shape: Sinkable knobs
- IconTouch

Heating types



Features

- PureSteam // Double lightning // Baking on different levels at the same time // MultiFlow 360°

Equipment

- 1 Steam tray // 1 Shallow enameled baking pan // 1 Perforated steam tray // 1 Wire shelf // 1 Meat Probe // Fully extendable telescopic guides - 1 level // Water container: 1,3 l

Safety

- Thermoelectric fuse // Dynamic oven cooling plus - DC+ // Triple glazed oven door with double heat deflector (UltraCoolDoor) // Mechanic door safety bolt

EasyCleaning

- AquaClean function // Descaling // SilverMatte // Smooth oven door surface

Technical data

- Energy consumption: 0,62 kWh (venting), 0,82 kWh (conventional)
- Connection rating: 2600 W
- Product dimensions (HxWxD): 45,5 × 59,5 × 54,6 cm
- Niche dimensions (HxWxD): 45 × 56 × 55 cm
- EAN code: 3838782025549
- Code: 728025



WD 1410 WG

Warming drawer



- Colour: White

Efficiency

- Number of servings: Set for 6 persons or 20 dishes in diameter 28 cm or 80 coffee cups or 40 tea cups

Functions / Operating

- Warming of plates
- Warming of cups
- Heat preservation
- Defrosting of food
- Yoghurt
- Manual setting of temperature and timer

Features

- Air vented circulation
- Time setting: Stop
- Touch control
- Variable temperature
- Cold front
- Drawer bottom: Glass

Technical data

- Usable volume: 19,8 l
- Temperature range: 40 – 80 °C
- Timer range: 60 – 240 min
- Connection rating: 410 W
- Product dimensions (HxWxD): 14 × 59,5 × 56 cm
- Niche dimensions min-max (HxWxD): 14 × 56-56,8 × 55 cm
- EAN code: 3838782016813
- Code: 466190

**BM 235 ORA B**

- Colour: Black
- EAN code: 3838782028021
- Code: 728172

**IT 635 ORA B**

- Colour: Black
- EAN code: 3838782025440
- Code: 728017

**BM 235 ORA W**

Built-in microwave oven with grill



- Colour: White
- Front panel material: Glass
- Door material: Glass
- Stainless steel oven interior
- Door opening: Left door opening
- Door open type: Handle
- Double glazed oven door

Efficiency

- Oven volume: 23 l
- SuperSize baking area
- Microwave power: 900 W
- Power of upper infra heater: 1200 W

Control

- Electronic control
- Input type: TouchControl
- LED display
- LogicalChoice

Heating types

- Combined heating: Microwaves + grill

Features

- AUTO menu // Preinstalled programmes: 6 // Defrost function by weight // Function Smart display

Safety

- ChildLock
- Door safety bolt

Equipment

- Rotating glass plate
- Rotating grid

Technical data

- Connection rating: 1400 W
- Product dimensions (HxWxD): 39 × 59,2 × 36,8 cm
- Niche dimensions (HxWxD): 36,5 × 56,6 × 55 cm
- EAN code: 3838782028014
- Code: 728171

IT 635 ORA W

Induction hob



- Colour: White
- Soft cut hob edges

Control

- Touch control
- Timer function

Features

- PowerBoost function
- AllBoost
- BridgeZone
- Silent operation SuperSilent

Cooking surface

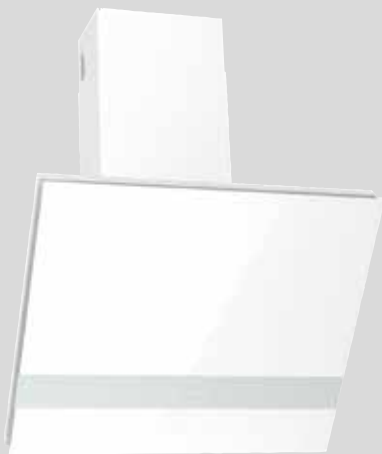
- 4 induction heating zones:
 - Left front: Ø 18,5 cm, 1,4/2 kW
 - Right front: Ø 16,5 cm, 1,2/1,4 kW
 - Left behind: Ø 18,5 cm, 1,2/1,4 kW
 - Right behind: Ø 20,5 cm, 2/2,3 kW

Safety and durability

- Residual heat indicator
- ChildLock

Technical data

- Connection rating: 7100 W
- Product dimensions (HxWxD): 6,4 × 59,5 × 52 cm
- Niche dimensions min-max (HxWxD): 7,7 × 55,8-56 × 49 cm
- EAN code: 3838782025426
- Code: 728015



WHI 643 ORA W

Wall mounted cooker hood



- Venting with air extraction or recirculation
- Material of housing/chimney: Varnished steel and glass / Varnished steel
- Colour of housing/chimney: White painted and white glass / White

Efficiency

- Maximum extraction rate by extraction operation: 570 m³/h
- Venting tube diameter: 15 cm

The capacity of ventilator

- Air flow by extraction version, step 1: 342 m³/h
- Air flow by extraction version, step 3: 570 m³/h
- Airflow boost position (PowerBoost 2) - extraction: 740 m³/h
- Number of PowerBoost functions: 2

Control

- AdaptTech: Automatic fan operation
- Electronic control
- Control setting: Touch control
- Timer function
- Number of speed positions: 3

Features

- Constant ventilation ReFresh
- Lamp type: LED
- Dimmer function
- Number of lights: 2
- Power of lights: 8 W
- Perimetric suction

Equipment

- Filter material: Washable aluminium with polyurethane foam // Grease filter indicator // Number of motors: 1 // Motor type: Capacitor motor // No return airflow flap: 150 mm

Technical data

- Noise level (max.): 59 dB(A)re 1 pW
- Product dimensions (WxD): 60 × 47 cm
- Height: 425 mm
- Min. height of the chimney: 420 mm
- Max. height of the chimney: 620 mm
- Annual energy consumption: 60,6 kWh
- EAN code: 3838782027420
- Code: 728152





COOKING WITH PASSION

Kitchen, a sacred place of love and passion for life, is a place where we create the delicious and genuine tastes of our lives. Throughout the history of mankind, kitchen has been the place where all important things happened. Ambrosial aromas of spices invite you to relive the culinary stories of the past and to create your own. Good cuisine is the recipe for a sweet and passionate life. This is embodied by the kitchen appliances of the Gorenje Classico collection available in ivory and matte black.

Ovens of the Gorenje Classico collection are graced with a rich and dynamic design with a classical touch. Soft lines extend seamlessly from the door to the oven interior, and the relief and form of the door is reminiscent of the traditional arched ovens. The perfect appearance of the oven is rounded off by

the characteristic knobs, the relief handle with aged gold finish, and the classically designed electronic programmable timer. The oven boasts the advanced HomeMade baking technology and high energy efficiency.



HomeMade technology for top-notch baking results

Innovative oven interior design with smart PerfectGrill heater placement mimics the traditional wood-fired ovens. Effective circulation of hot air leads to even heat distribution and superior

baking results. Fully extendible telescopic guides make placing the baking sheets in the oven much simpler and allow excellent overview of the baking process.



Always cool oven door

Oven door is double glazed with reflective glass panes. Therefore, the outer side of the door is always cool. The safe and energy-efficient door allows the oven to reach the A energy class. Interior side of the oven door has no notches or edges to allow simple cleaning.

Electronic programmable timer with analogue display

Classic analogue design of the electronic programmable timer is one of the decorative highlights of the line. It features a clock and a minute minder, and it also allows programming delayed start time and cooking end time. The clock indicates the end of the cooking process by an acoustic signal. The classical clock design with clock hands and lining in old gold colour complements the overall oven design.

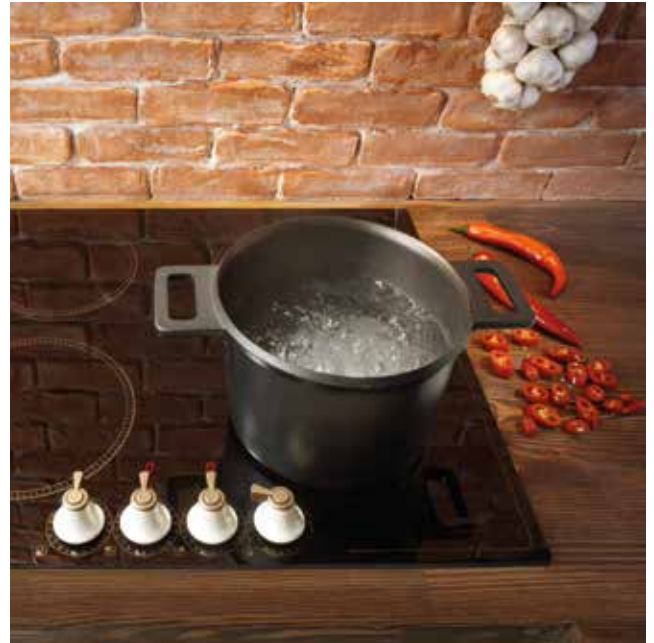
Super power all over and at the same time

Classico induction hobs have the option to activate the PowerBoost on all cooking zones. This gives significantly higher output power and of course great time savings!



BoilControl

Automatically adjusts the operating power. After initially operating at maximum power, the cooking zone maintains the desired temperature to prevent boiling over or overcooking.



Modern hi-light technology with a touch of classics

In addition to three hi-light heaters, the glass ceramic hob also features a heater with a double circular surface that can adapt to pots and pans of varying sizes. An indicator light for each cooking zone will remain lit until the zone surface is hot. Smooth hob surface is easy to clean and the edges are raised to prevent spilling.

Retro knobs for comfortable control

Standing by behind the aged gold finish of the characteristic classic knobs reminiscent of their old ceramic predecessors is modern technology that allows the ultimate comfort in control. The knobs are ergonomically designed for a pleasant grip.



Diamond layout

Special diamond-shaped heater layout allows better overview of the cooking process. It offers more space for large pots and pans or a wok on the two larger and more powerful heaters

placed on the left and right, respectively. The form of the cast iron grid follows the functional heater layout and aesthetically rounds off the hob appearance.



Cast iron grid

Cast iron grid will improve the stability and enhance the appearance of the gas hob. The grid material makes it particularly durable and resistant to even the highest temperatures.

Single-handed gas burner ignition

Single-handed gas burner ignition is another feature that leads to extra comfort and easy control. To activate the gas burner, just press the knob and rotate it to desired level with a single hand while your other hand is free. Fast and simple!



Wok gas burner

Professional gas burner with a three-ring flame heats the pan with extra power to improve energy efficiency and allow preparing your food in just minutes. An optional dedicated cast iron wok support will further improve safety, comfort, and efficiency in cooking.



The minimalist appearance of Gorenje Classico collection's kitchen hood sophisticatedly rounds off the entire kitchen ambient. Soft lines and details with gold finish make sure the hood blends harmoniously with the design of other appliances of the collection. The hood excels with efficient and silent

operation. Modern trend of merging the kitchen with the living room also calls for new standards regarding hood performance. With a capacity of at least 540 m³/h, Gorenje Classico hood provides optimum power to eliminate odours, moisture, and grease particles in spaces spanning up to 55 m².



Halogen lighting

In addition to the core function of air evacuation, kitchen hoods are also an additional source of light over the cooking hob. Halogen lighting is more powerful and more energy-efficient than conventional.



Dishwasher-safe grease filters for simple cleaning

Metal grease filters in Gorenje hoods are easy to remove and to clean. They can be washed manually or in a dishwasher using a delicate programme.



Knobs and handle with gold finish

Hood design in delicate ivory or matte black is complemented by distinctive handle in the old gold colour. The knobs allow traditional control of the hood and its functions. Decorative handle that matches the design of the entire collection perfectly complements the appearance of the hood and accentuates its classical character.



BO 73 CLI UK

Built-in single oven



- Colour: Ivory
- Handle colour: Colour of gold
- Control panel material: Varnished metal
- Classic door hinge

Efficiency

- Multifunctional oven BigSpace - 65 l
- SuperSize baking area
- Surface of the largest baking pan: 1316 cm²
- HomeMADE® modelled on traditional wood-fired bread oven

Control

- Mechanic temperature control
- Electronic programmable timer with analogue display

Heating types



Features

- Illumination
- Baking on different levels at the same time

Equipment

- 1 deep enameled baking pan
- 1 shallow enameled baking pan
- 1 Wire shelf
- Partially extendable telescopic guides - 2 levels

Safety

- Thermoelectric fuse
- Dynamic oven cooling - DC
- Triple glazed oven door with one heat deflector (CoolDoor)

EasyCleaning

- AquaClean // SilverMatte // Smooth oven door surface

Technical data

- Energy consumption: 0,85 kWh (venting),
0,92 kWh (conventional)
- Connected rating: 3300 W
- Product dimensions (HxWxD): 59,5 × 59,7 × 54,7 cm
- Niche dimensions min-max (HxWxD): 58,3-60 × 56-56,8 × 55 cm
- EAN code: 3838942053122
- Code: 498588



IC 634 CLB
 • Colour: Black
 • EAN code:
 3838942010224
 • Code: 470722



IC 634 CLI

Induction hob



- Colour: Ivory
- Soft cut hob edges

Control

- Knob shape: Ergonomic knobs

Features

- BoilControl, prevents boil-overs
- PowerBoost function
- AllBoost
- Silent operation SuperSilent

Cooking surface

- 4 induction heating zones
- Left front: Ø 18,5 cm, 1,4/2 kW
- Right front: Ø 16,5 cm, 1,2/1,4 kW
- Left behind: Ø 16,5 cm, 1,2/1,4 kW
- Right behind: Ø 20,5 cm, 2/2,3 kW

Safety and durability

- Residual heat indicator
- ChildLock

Technical data

- Connection rating: 7100 W
- Product dimensions (HxWxD): 8,5 × 60 × 51 cm
- Niche dimensions min-max (HxWxD): 7,7 × 55,8-56 × 49 cm
- EAN code: 3838942010293
- Code: 470724

**ECK 63 CLB**

- Colour: Black
- EAN code: 3838942933707
- Code: 423101

**GW 65 CLB**

- Colour: Black
- EAN code: 3838942932380
- Code: 427993



ECK 63 CLI

Ceramic hob

59,5
◀ cm ▶

- Colour: Ivory
- Varnished hob frame

Control

- Knob shape: Ergonomic knobs

Cooking surface

- 4 ceramic heating zones
- Left front: Ø two ring 21/12 cm, 2,2 kW
- Right front: Ø 14,5 cm, 1,2 kW
- Left behind: Ø 14,5 cm, 1,2 kW
- Right behind: Ø 18 cm, 1,8 kW

Safety and durability

- Residual heat indicator

Technical data

- Connection rating: 6400 W
- Product dimensions (HxWxD): 8,6 × 59,5 × 51 cm
- Niche dimensions min-max (HxWxD): 7,1 × 55,8-56 × 49 cm
- EAN code: 3838942933691
- Code: 423102

GW 65 CLI

Gas hob

60
◀ cm ▶



- Colour: Ivory

Control

- Knob shape: Ergonomic knobs

Features

- Wok triple burner
- High efficiency burners

Cooking surface

- One-hand ignition device for hob
- 1 auxiliary burner + 1 rapid burner + 1 standard burner + 1 wok triple burner
- Middle front: Ø 6,7 cm, 1,75 kW
- Middle behind: Ø 4,3 cm, 1 kW
- Middle left: Ø 9,7 cm, 3 kW
- Middle right: Ø 13,44 cm, 3,8 kW
- Type of pan support: Cast iron grid

Safety and durability

- Safety function
- Gas control

Technical data

- Product dimensions (HxWxD): 10,3 × 60 × 51 cm
- Niche dimensions (HxWxD): 7,9 × 56 × 48 cm
- EAN code: 3838942932373
- Code: 427990

**EC 67 CLB**

- Colour: BlackMatte
- EAN code: 3838942013560
- Code: 474351

**DK 63 CLB**

- Colour of housing/ chimney: Matte black / Matte black
- EAN code: 3838942008603
- Code: 473446



EC 67 CLI

Electric cooker



- Colour: Ivory
- Control panel material: Varnished metal
- Door material: Glass and varnished metal

Efficiency

- Multisystem oven BigSpace - 67 l
- SuperSize baking area
- Surface of the largest baking pan: 1316 cm²
- HomeMADE® modelled on traditional wood-fired bread oven

Control

- Electronic programmable timer with analogue display

Glass ceramic hob

- 2 ceramic cooking zones + 2 double ceramic cooking zones
- Left front: Ø two ring 21/12 cm, 2,2 kW,
- Right front: Ø 18 cm, 1,8 kW,
- Left behind: Ø 14,5 cm, 1,2 kW,
- Right behind: Ø two ring 18/12 cm, 1,7 kW

Heating types**Features**

- Illumination // Baking on different levels at the same time

Equipment

- 1 Shallow enameled baking pan // 1 Deep enameled baking pan // 1 Wire shelf // Wire oven guides

Safety

- Residual heat indicator // Thermoelectric fuse // Dynamic oven cooling - DC // Double glazed oven door with one heat deflector (CompactDoor)

EasyCleaning

- AquaClean // EcoClean enamel // Smooth oven door surface

Technical data

- Connection rating: 10200 W
- Energy consumption: 0,82 kWh (venting), 0,92 kWh (conventional)
- Product dimensions (HxWxD): 90 × 60 × 60 cm
- EAN code: 3838942014017
- Code: 474348

DK 63 CLI

Wall mounted cooker hood



- Venting with air extraction or recirculation
- Material of housing/chimney: Varnished steel / Varnished steel
- Colour of housing/chimney: Ivory / Ivory

Efficiency

- Maximum extraction rate by extraction operation: 545 m³/h
- Maximum extraction rate by recirculation operation: 378 m³/h
- Venting tube diameter: 15 cm

The capacity of ventilator

- Air flow by extraction version, step 1: 355 m³/h
- Air flow by extraction version, step 3: 545 m³/h

Control

- Mechanic control
- Control setting: Button control
- Number of speed positions: 3

Features

- Lamp type: Halogen
- On/off light switch
- Number of lights: 2
- Power of lights: 40 W

Equipment

- Filter material: Aluminium
- Washable grease filter
- Number of motors: 1
- No return airflow flap: 150 mm

Technical data

- Max. noise level: 64 dB(A)re 1 pW
- Product dimensions (WxD): 60 × 50 cm
- Height: 280 mm
- Min. height of the chimney: 530 mm
- Max. height of the chimney: 860 mm
- Annual energy consumption: 119,5 kWh
- EAN code: 3838942008610
- Code: 473447

**DK 63 MCLB**

- Colour of housing/
chimney: Matte black /
Matte black
- EAN code:
3838942007989
- Code: 473192

**DK 63 MCLI**

Wall mounted cooker hood



- Venting with air extraction or recirculation
- Material of housing/chimney: Varnished steel / Varnished steel
- Colour of housing/chimney: Ivory / Ivory

Efficiency

- Maximum extraction rate by extraction operation: 621 m³/h
- Maximum extraction rate by recirculation operation: 545 m³/h
- Venting tube diameter: 15 cm

The capacity of ventilator

- Air flow by extraction version, step 1: 218 m³/h
- Air flow by extraction version, step 3: 469 m³/h
- Air flow by extraction version, step 4: 621 m³/h

Control

- Mechanic control
- Control setting: Button control
- Number of speed positions: 4

Features

- Lamp type: Halogen
- On/off light switch
- Number of lights: 2
- Power of lights: 40 W
- Perimetric suction

Equipment

- Filter material: Aluminium
- Washable grease filter
- Number of motors: 1
- No return airflow flap: 150 mm

Technical data

- Max. noise level: 65 dB(A)re 1 pW
- Product dimensions (WxD): 60 × 50 cm
- Height: 310 mm
- Min. height of the chimney: 590 mm
- Max. height of the chimney: 830 mm
- Annual energy consumption: 146,3 kWh
- EAN code: 3838942007996
- Code: 473193





WHITE. BLACK. IT'S SO ME!

Gorenje Simplicity appliance collection is designed with contemporary trends and people in mind. The line prides on logical programme selection, adaptive technology that allows adjustment to user's personal choices, excellent and uniform design, and great value of the appliance at the time of purchase and throughout its useful life.

Simplicity

Life

My life philosophy is simple. I appreciate what suits my habits and my possibilities. I design and arrange my life space in my own way. I choose the collection of appliances that respect my lifestyle. I find it easy to integrate the excellently designed

appliances of the Gorenje Simplicity collection in black or white into my home. They join me in living my way. Because they adapt to me, not the other way around. Simplicity!

Beautiful. Simple. Affordable.



simplicity
COLLECTION

Logical choice

In appliances of the Gorenje Simplicity collection, the most frequently used and the most convenient settings are immediately available – via a single knob.

Solid design

Pure lines, genuine materials and ergonomics allow integrating the appliances into any home.



Glass. Metal. Harmony. Presence. Eye candy.
THE WAY IT'S DESIGNED – IT'S SO ME!

Adapt tech

Advanced appliances memorize our personal choices and suggest them next time we use them. All that's left is to press the button to confirm.

Perfect value

As they are well-priced, these appliances offer immediate savings. In addition, advanced technology makes sure you only pay for what you truly need, which leads to extra savings in the long run.



AdaptTech baking

No need to repeat your own settings

The oven will memorize your temperature setting for each preset programme and suggest the most recent or the most frequently used setting the next time you use it.



Electronic programming timer

Easy and clear touch control

The timer allows you to set the cooking time and to select the right temperature. This and the heating system currently in use can be monitored on a clearly laid out screen. Timer surface is completely smooth and easy to clean.



GentleClose

Oven door closing system

Extra comfort when closing the oven door. The door will close gently and silently, regardless of the force applied.



Preservation programme

A reliable way to make your preserves

A special preset programme will make sure your preserves keep throughout the season and well after that.



Gas cooker with SimpleOff programme timer

Safe, simple, clear, and controlled cooking

Ergonomically designed knob with built-in electronic timer allows setting the cooking time (up to 99 minutes). When the set time expires, the gas burner will be automatically switched off, which will also be indicated by an acoustic signal.



Simple control with SmartControl

Clarity and control in cooking

Cooking time can be set separately for each cooking zone. When the set time expires, the timer will automatically switch off the cooking zone and notify you with an acoustic signal.



Powerful induction hob

Fast and efficient cooking and simple cleaning

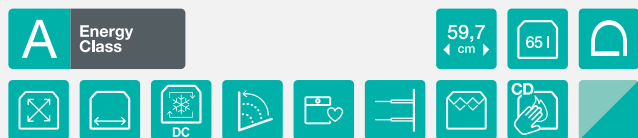
Induction hobs operate remarkably fast and efficiently to prepare excellent and wholesome food. PowerBoost function for rapid and powerful operation allows even faster and more efficient cooking which leads to savings of both time and power.

**BO 75 SY2W**

- Colour: White
- EAN code: 3838942052866
- Code: 498593

**BO 75 SY2B**

Built-in single oven



- Colour: Black
- Handle colour: Imitation of stainless steel
- Control panel material: Glass
- GentleClose door hinge

Efficiency

- Multifunctional oven BigSpace - 65 l
- SuperSize baking area
- Surface of the largest baking pan: 1316 cm²
- HomeMADE® modelled on traditional wood-fired bread oven

Control

- Electronic control
- AdaptTech baking: Memorizing intelligent system

Heating types**Features**

- Illumination
- FastPreheat
- Baking on different levels at the same time

Equipment

- 1 Deep enameled baking pan
- 1 Shallow enameled baking pan
- 1 Wire shelf
- Partially extendable telescopic guides - 2 levels

Safety

- Thermoelectric fuse // Dynamic oven cooling - DC // Triple glazed oven door with one heat deflector (CoolDoor) // Mechanic door safety bolt

EasyCleaning

- AquaClean // SilverMatte // Smooth oven door surface

Technical data

- Energy consumption: 0,85 kWh (venting), 0,92 kWh (conventional)
- Connected rating: 3300 W
- Dimensions (HxWxD): 59,5 × 59,7 × 54,7 cm
- Niche dimensions min-max (HxWxD): 58,3-60 × 56-56,8 × 55 cm
- EAN code: 3838942052880
- Code: 498592

**IT 612 SY2W**

- Colour: White
- EAN code: 3838942949685
- Code: 423499

**IT 612 SY2B**

Induction hob



- Colour: Black
- Soft cut hob edges

Control

- Touch control
- Timer function
- SmartControl

Features

- PowerBoost function
- AllBoost
- Silent operation SuperSilent

Cooking surface

- 4 induction heating zones
- Left front: Ø 18,5 cm, 1,4/2 kW
- Right front: Ø 16,5 cm, 1,2/1,4 kW
- Left behind: Ø 16,5 cm, 1,2/1,4 kW
- Right behind: Ø 20,5 cm, 2/2,3 kW

Safety and durability

- Residual heat indicator
- ChildLock

Technical data

- Connection rating: 7100 W
- Dimensions (HxWxD): 6,1 × 60 × 51 cm
- Niche dimensions min-max (HxWxD): 7,7 × 55,8-56 × 49 cm
- EAN code: 3838942949692
- Code: 423498



ECT 6 SY2W
 • Colour: White
 • EAN code:
 3838942950209
 • Code: 423443



GKTG 6 SY2W
 • Colour: White
 • EAN code:
 3838942928598
 • Code: 426144



ECT 6 SY2B

Ceramic hob



- Colour: Black
- Soft cut hob edges

Control

- Touch control
- Timer function
- SmartControl

Features

- BoilControl, prevents boil-overs
- StopGo function
- StayWarm function

Cooking surface

- 2 ceramic heating zones + 2 double ceramic heating zones
- Left front: Ø two ring 21/12 cm, 2,2 kW,
- Right front: Ø 14,5 cm, 1,2 kW,
- Left behind: Ø 14,5 cm, 1,2 kW,
- Right behind: Ø two ring 18/12 cm, 1,7 kW

Safety and durability

- Residual heat indicator
- Safety control hob lock
- ChildLock

Technical data

- Connection rating: 6300 W
- Dimensions (HxWxD): 5,1 × 60 × 51 cm
- Niche dimensions min-max (HxWxD): 6,7 × 55,8-56 × 49 cm
- EAN code: 3838942940354
- Code: 423444

GKTG 6 SY2B

Gas on tempered glass



- Colour: Black

Control

- SimpleOff program timer
- Timer function

Features

- Wok triple burner
- High efficiency burners

Cooking surface

- One-hand ignition device for hob
- 2 standard burners + 1 auxiliary burner + 1 triple burner
- Left front: Ø 10,3 cm, 3,3 kW
- Right front: Ø 4,3 cm, 1 kW
- Left behind: Ø 6,7 cm, 1,75 kW
- Right behind: Ø 6,7 cm, 1,75 kW
- Type of pan support: Cast iron grid

Technical data

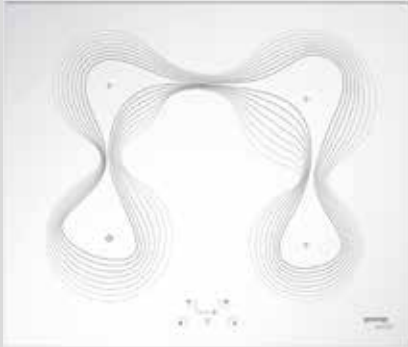
- Dimensions (HxWxD): 11,2 × 58,5 × 51 cm
- Niche dimensions (HxWxD): 7,3 × 56 × 48 cm
- EAN code: 3838942928581
- Code: 426143

A creator of universally loved shapes



Karim Rashid objects are critically acclaimed as sensual and pure. His designs are famous for their natural soft lines and attention to detail. His work is globally recognised, as it speaks a universal language of beauty. He is a member of the global design elite, and as an award-winning designer he is the creative force behind countless global design objects and icons. His touch and style are present in brands like Alessi, Audi, Estée Lauder, Issey Miyake, Prada, and Sony.





IT 65 KR

Induction hob



- Colour: White
- Hob frame edges: Aluminium side edges

Control

- Type of control: Touch control
- Timer function

Features

- PowerBoost function
- AllBoost
- PowerControl
- Silent operation SuperSilent
- EasyClean

Cooking surface

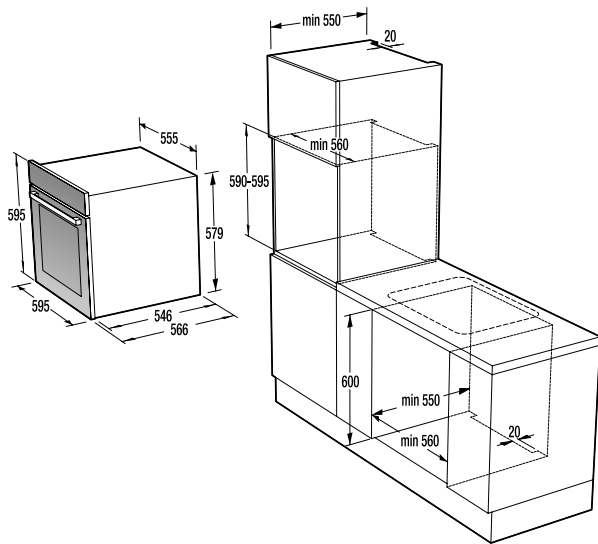
- 4 induction heating zones
- Left front: Ø 18,5 cm, 1,4/2 kW,
- Right front: Ø 16,5 cm, 1,2/1,4 kW,
- Left behind: Ø 16,5 cm, 1,2/1,4 kW,
- Right behind: Ø 20,5 cm, 2/2,3 kW

Safety and durability

- Residual heat indicator
- ChildLock

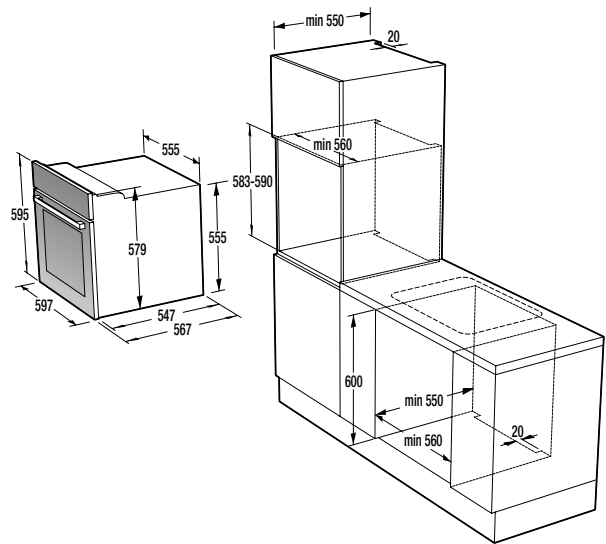
Technical data

- Connection rating: 7100 W
- Dimensions (HxWxD): 6,1 × 60 × 51,4 cm
- Niche dimensions min-max (HxWxD): 7,7 × 55,8-56 × 49 cm
- EAN code: 3838942813566
- Code: 393112



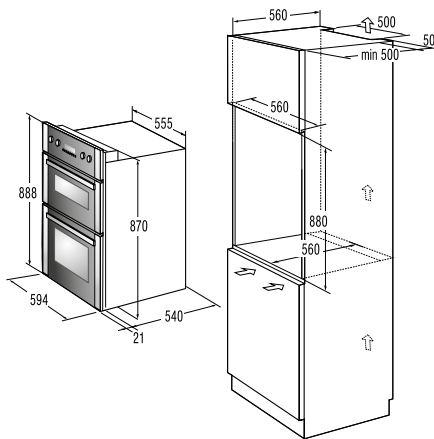
BO... // BOP... - Superior Line

See pages 14-15



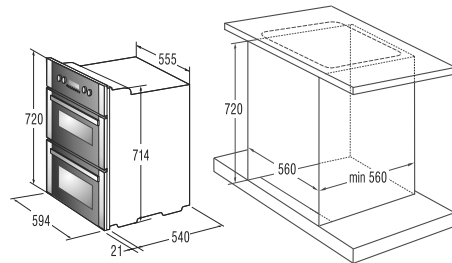
**BO... // BOP... - Advanced Line,
Essential Line, Ora Ito, Classico, Simplicity**

See pages 17-19,
96, 106, 116



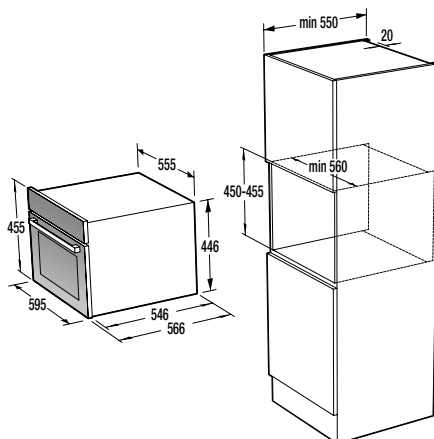
BD ...

See pages 20-21



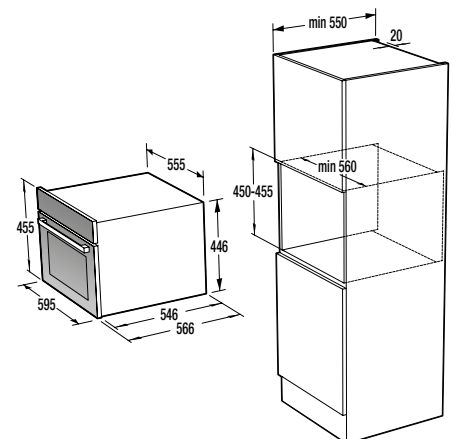
BDU ...

See pages 20-21



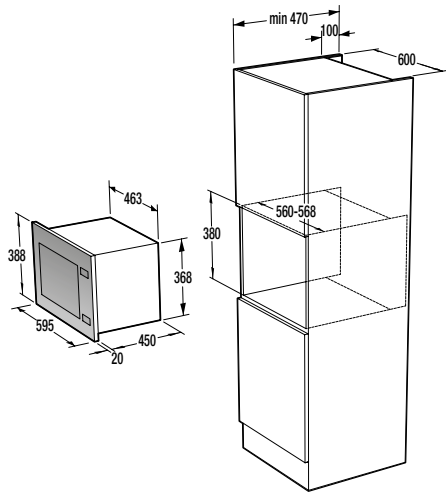
**BO 547 S10X / BCS 599 S22X /
BCS 547 ORAW**

See pages 16, 97



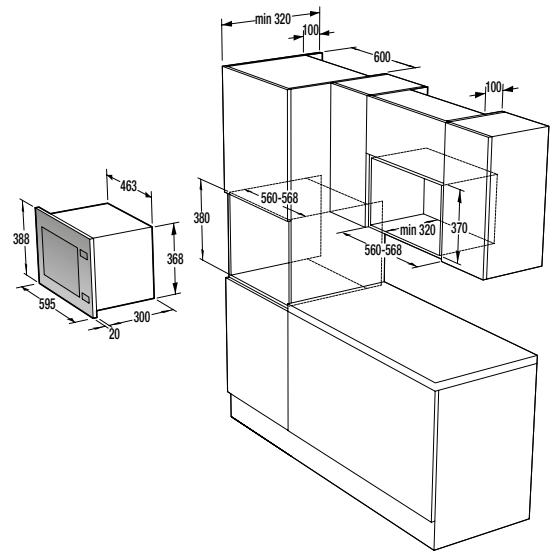
BCM 547 S12X

See page 25

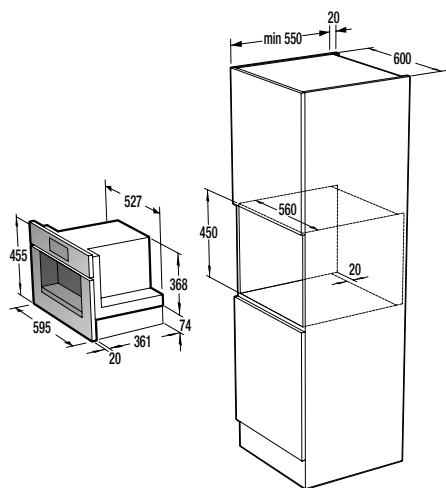


BM 251 S7XG

See page 25

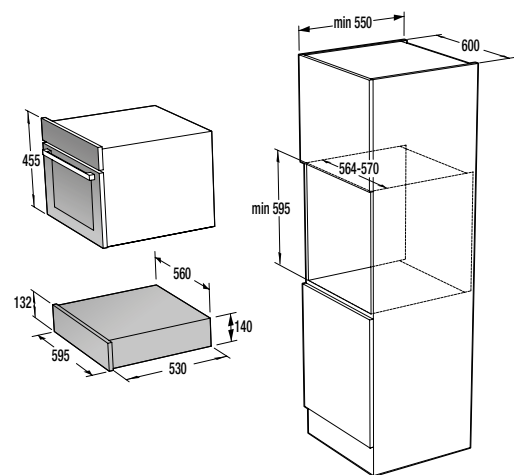


BM 171 E2XG / BM 171 E2X / BM 171 A4XG See pages 26-27



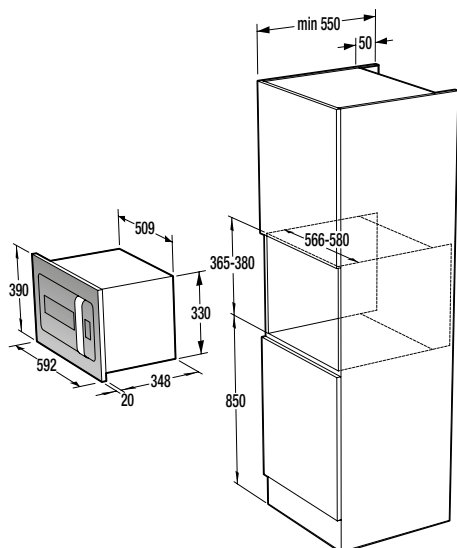
CMA 9200 UX

See page 31



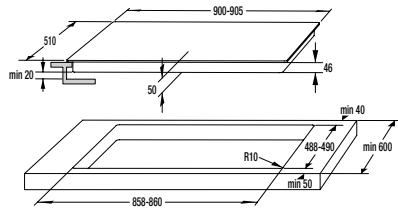
WD 1410 X / WD 1410 WG

See pages 31, 97



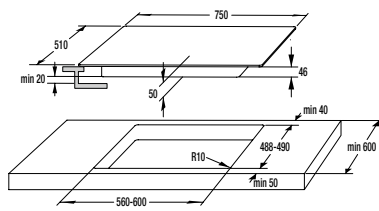
BM 235 ORAW

See page 98



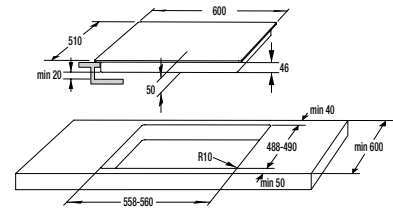
IT 984 USC

See page 40



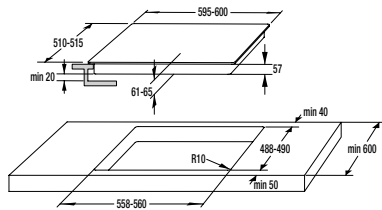
IS 777 USC

See page 40



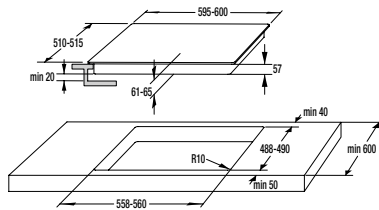
IS 677 USC

See page 41



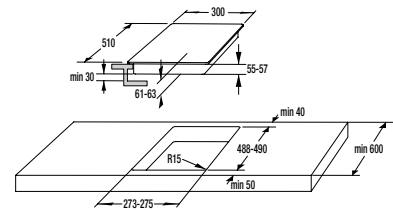
IQ 634 USC

See page 41



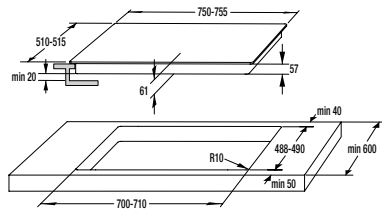
IT 635 SC

See page 42



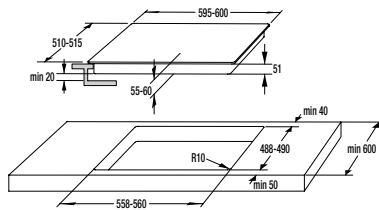
IT 332 CSC

See page 42



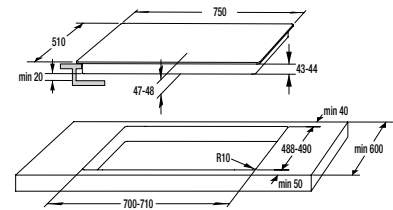
IT 734 CSC

See page 43



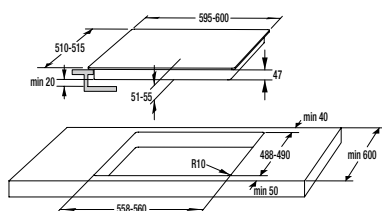
IT 614 CSC

See page 43



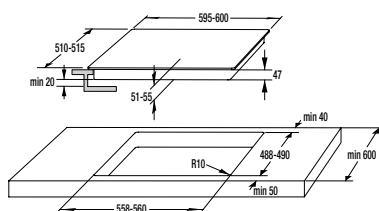
ECS 780 USC

See page 44



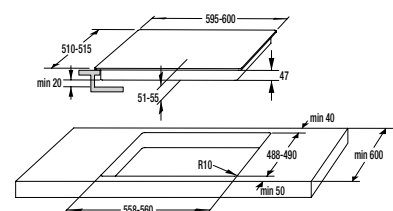
ECS 680 USC

See page 44



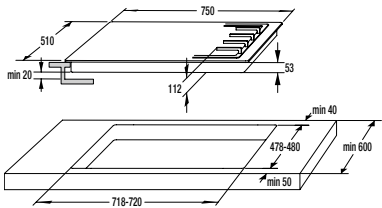
ECT 693 CSC

See page 45



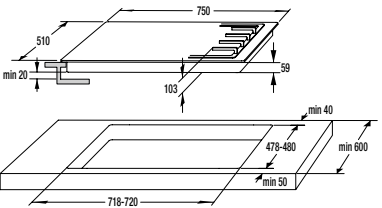
ECT 610 SC

See page 45



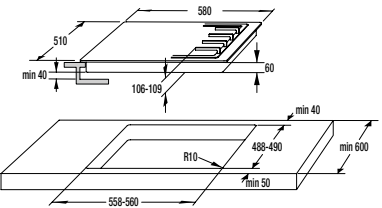
GTW 761 UB

See page 46



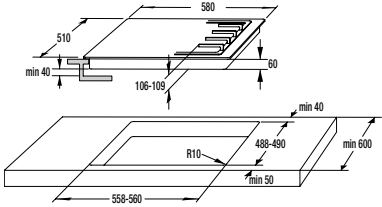
GW 761 UX

See page 46



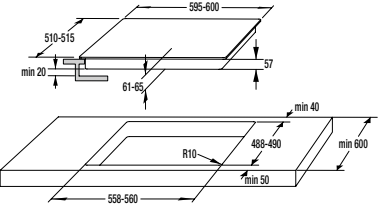
GW 6N41 IXUK

See page 47



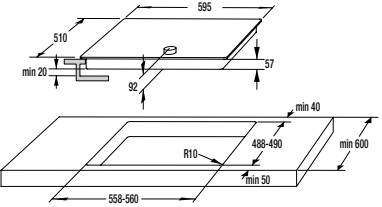
G 6N41 IXUK

See page 47



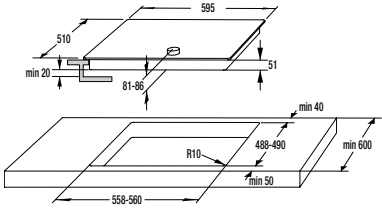
IT 635 ORAW / B

See page 98



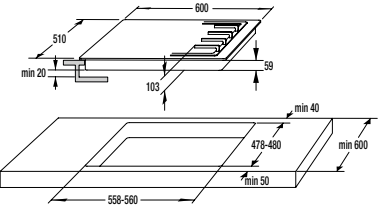
IC 634 CLI / B

See page 106



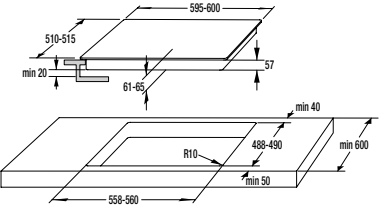
ECK 63 CLI / B

See page 107



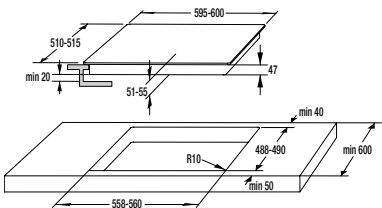
GW 65 CLI / B

See page 107



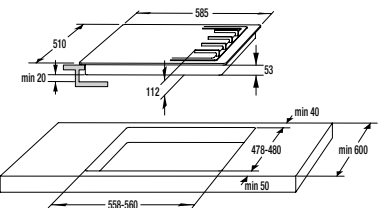
IT 612 SY2B / W

See page 116



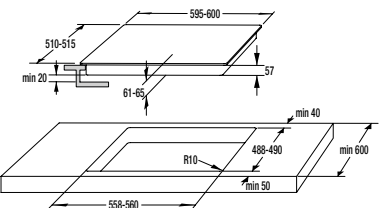
ECT 6 SY2B / W

See page 117



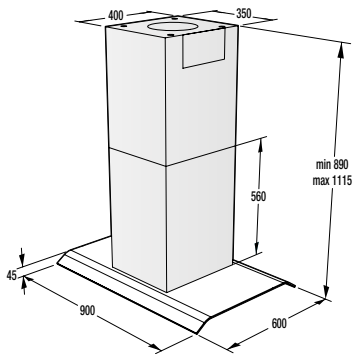
GKTG 6 SY2B / W

See page 117



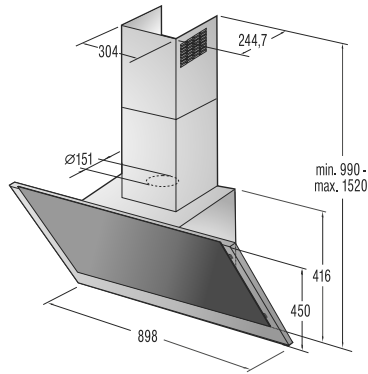
IT 65 KR

See page 119



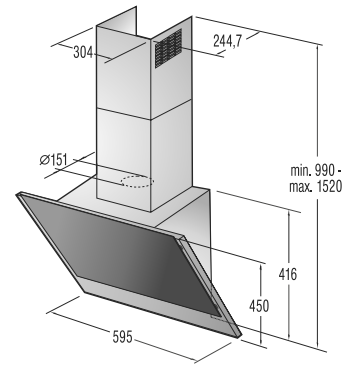
IHGC 963 A1XUK

See page 55



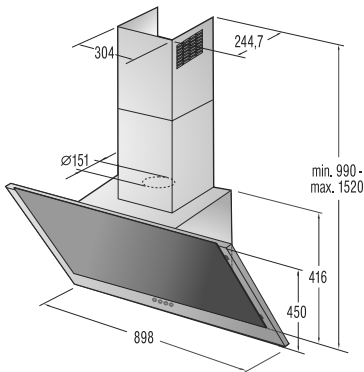
WHI 951 S1XGBUK

See page 56



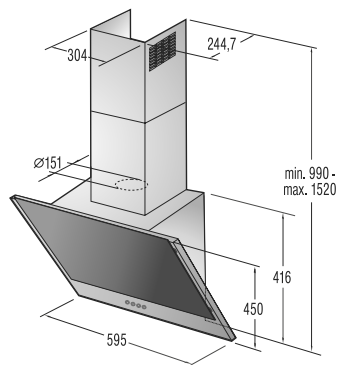
WHI 651 S1XGBUK

See page 56



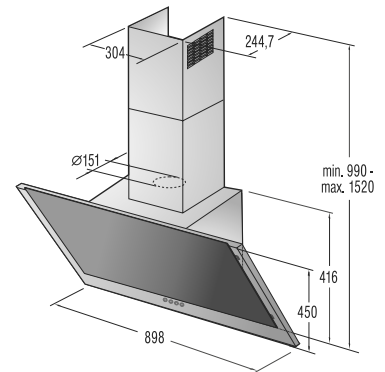
WHI 921 E3BUK

See page 57



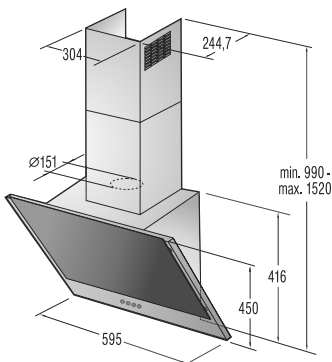
WHI 621 E3BUK

See page 57



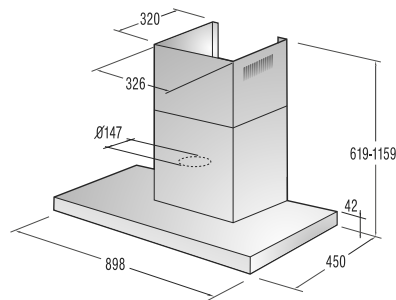
WHI 921 E1XGBUK

See page 58



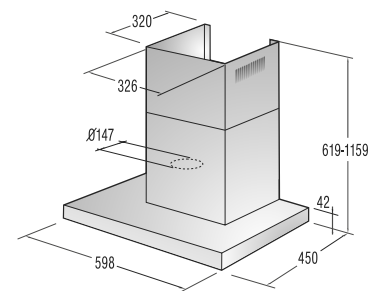
WHI 621 E1XGBUK

See page 58



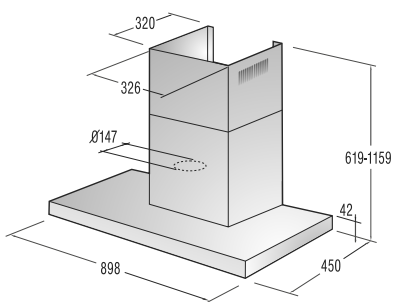
WHT 921 E3XBGUK

See page 59



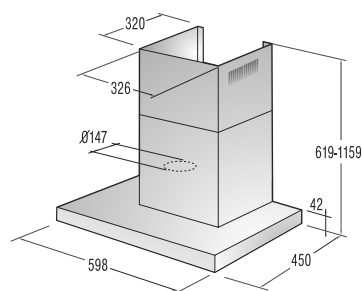
WHT 621 E3XBGUK

See page 59



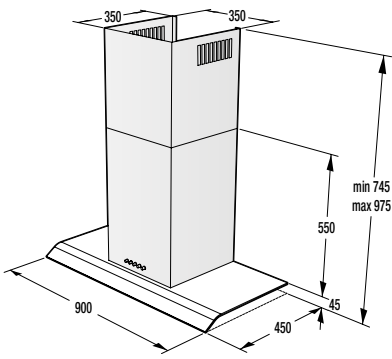
WHT 921 E5XUK

See page 60

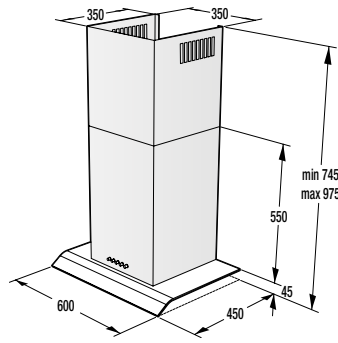


WHT 621 E5XUK

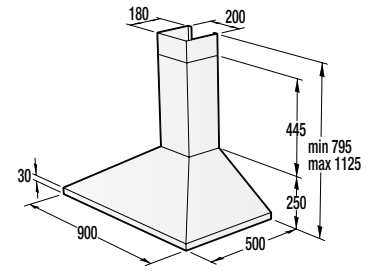
See page 60



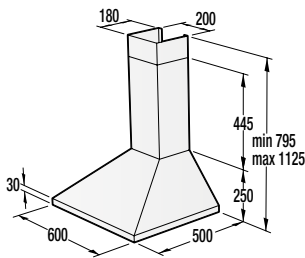
WHGC 933 E16XUK See page 61



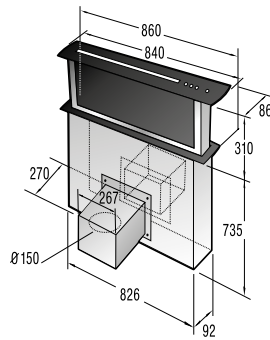
WHGC 633 E16XUK See page 61



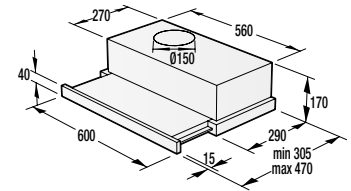
WHC 923 E14XUK See page 62



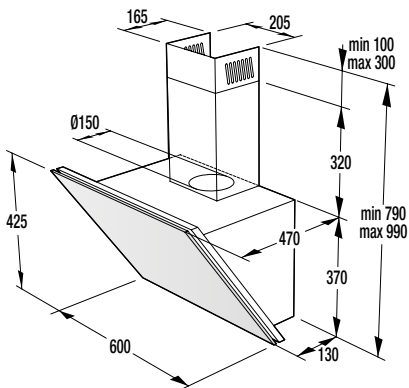
WHC 623 E14XUK See page 62



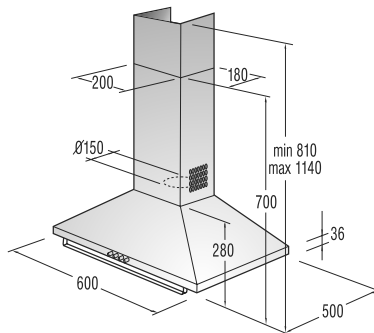
DFGA 9575 BX See page 63



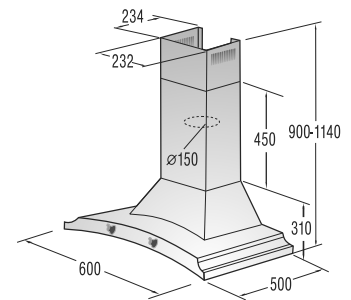
BHP 623 E11XUK See page 63



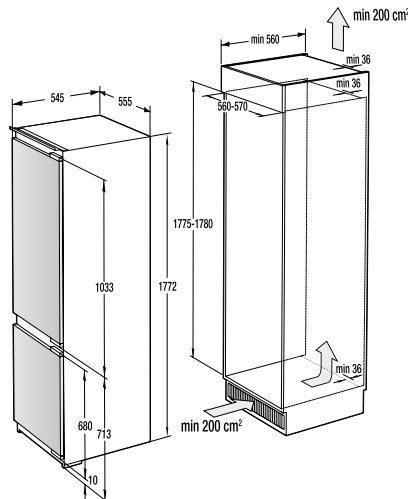
WHI 643 ORAW See page 99



DK 63 CLI / B See page 108

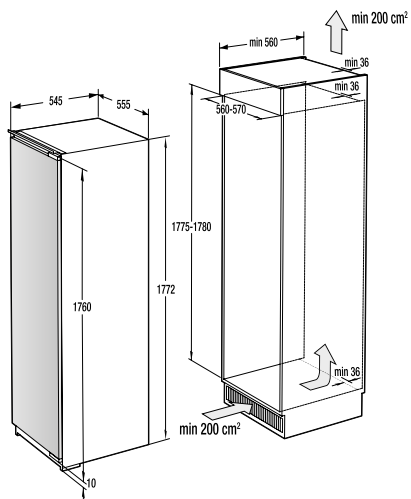


DK 63 MCLI / B See page 109



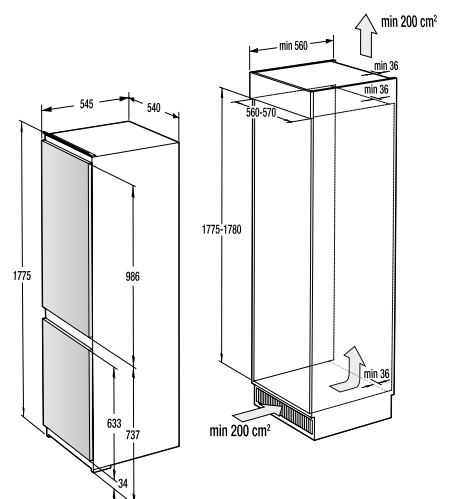
**NRKI 5182 A1UK /
RKI 5182 A1UK**

See page 72



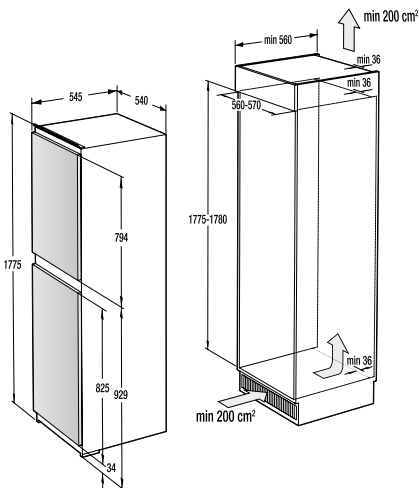
**RI 5182 A1UK /
FNI5182A1UK**

See page 73



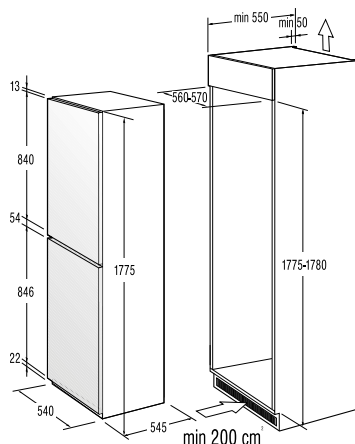
NRKI 4181 CW

See page 74



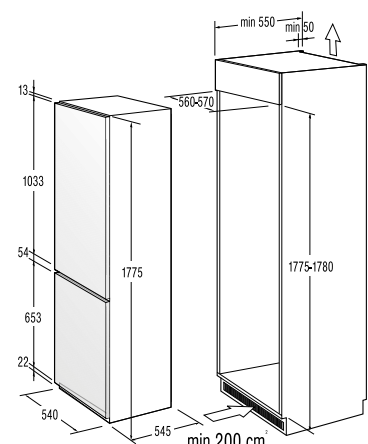
NRKI 4181 CW

See page 74



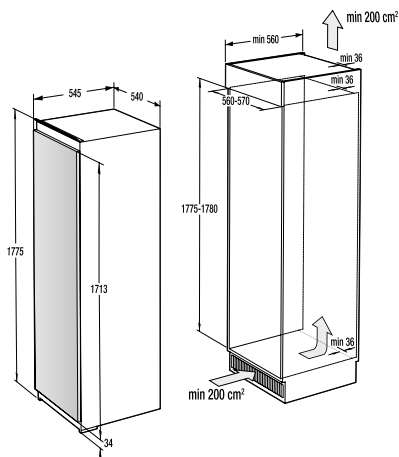
RKI 4181 AWW

See page 75



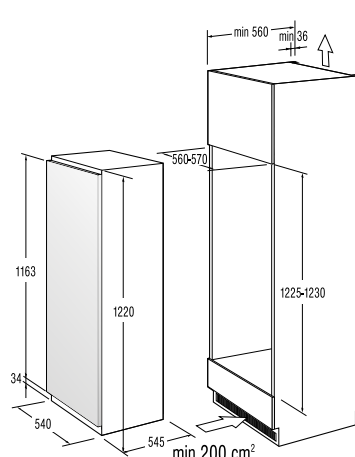
RCI 4181 AWW

See page 75



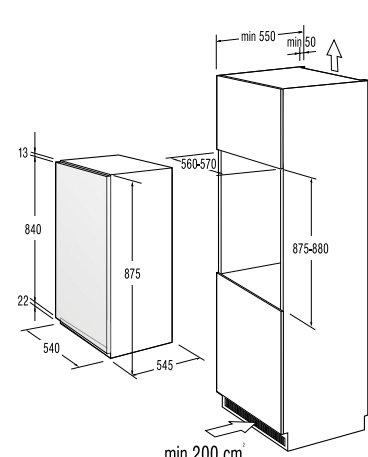
RI 4181 AW

See page 76



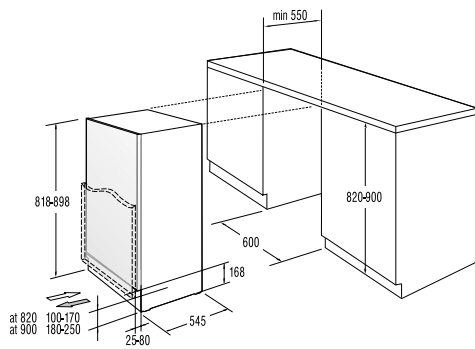
**RI 4121 AW
RBI 4121 AW**

See pages 76-77



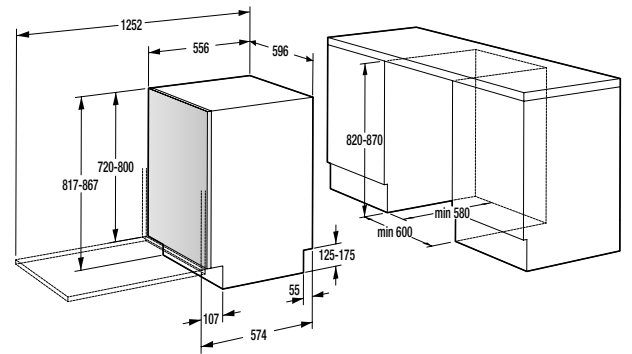
**RI 4091 AW
FI 4091 AW**

See pages 77, 79



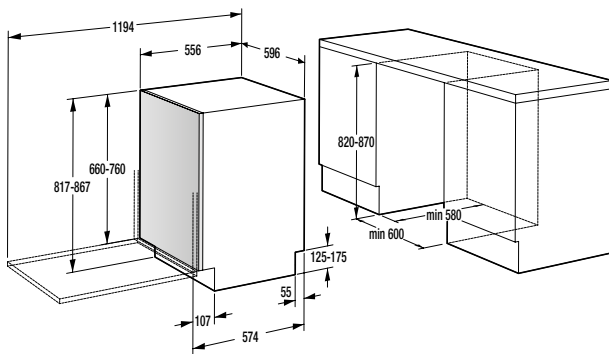
**RIU 6F091 AWUK /
RBIU 6F091 AWUK / FIU 6F091 AWUK**

See pages 78-79



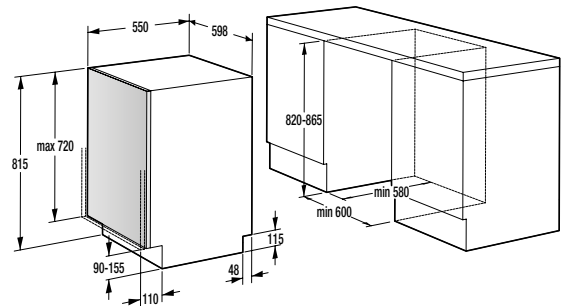
GV 66260 UK

See page 85



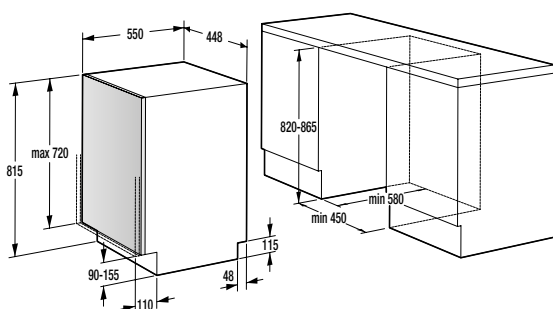
GV 64160 UK

See page 85



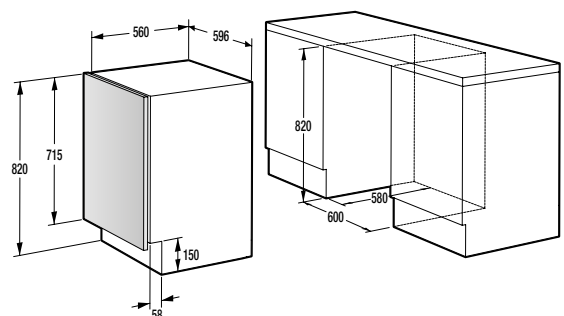
GV 61010 UK

See page 86



GV 55110 UK

















See page 86









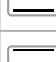













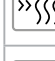

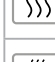


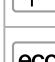






WI 73140 / WDI 73120 HK

See page 87




Built-in ovens



	HomeMade oven
	HomeChef, electronic programme module
	IconTouch
	DirecTouch
	IconLed
	MultiFlow 360°
	PerfectGrill
	SilverMatte (easy clean enamel surface)
	TouchFree Inox
	Catalytic cleaning
	GentleClose door hinge
	BigSpace, large oven capacity
	SuperSize baking area
	MeatProbe
	AUTO programmes
	Step by step baking process
	Telescopic oven guides - 3 levels

	Telescopic oven guides - 2 levels
	Telescopic oven guides - 1 level
	Quadruple glazed oven door with double heat deflector (UltraCoolDoorQuadro)
	Triple glazed oven door with double heat deflector (UltraCoolDoor)
	Triple glazed oven door with one heat deflector (CoolDoor)
	Double glazed oven door with one heat deflector (CompactDoor)
	Dynamic oven cooling plus DC+
	Dynamic oven cooling DC
	Upper & lower heater
	Lower heater
	Upper heater
	Circular heater and fan
	Large infra grill
	Small grill
	Large infra grill and fan
	Lower heater and fan

	Lower heater with circular heater and fan
	Upper heater & lower heater & fan
	Small grill and fan
	Defrosting
	FastPreheat
	AquaClean
	StayWarm, keeping dishes warm
	WarmPlate, for professional service
	Auto roast
	Pyrolyse
	Eco program
	Preservation programme
	Low steam & circular heater & fan
	Medium steam & circular heater & fan
	High steam & circular heater & fan
	Steam cooking



Microwave ovens



	MultiUse
	Inverter technology
	Stirrer technology

	Microwaves
	Grill

	Microwaves + grill
	Microwaves + circular heater + fan






Coffee machines

	PerfectCoffee
	GrindingLevels









	CoffeeBean
	EasyMilk

	AutoCappuccino
---	----------------





Built-in hobs




	IQcook
	IQsteam
	IQboil
	IQpro
	IQpoach
	IQgrill
	XpandZone
	BridgeZone




	FishZone
	PowerZone
	SmartControl
	SliderTouch
	Touch control
	SuperSilent
	PowerBoost Supreme, faster heating and cooking
	PowerBoost, faster heating and cooking

	BoilControl prevents the food from boiling over
	SoftMelt melting food at low temperature
	StayWarm function
	StopGo function
	ChildLock
	Wok gas burner
	High efficiency burners
	SimpleOff program timer







Cooker hoods

	SliderTouch
	Touch on inox
	AdaptTech venting: Memorizing intelligent system
	Perimetric suction






	Filters (Washable aluminium with polyurethane foam)
	Timer function
	Inverter PowerDrive motor

	Led light
	TouchFree coating
	SmartCurve





Cooling

	NoFrost DualAdvance
	FrostLess
	AdaptTech cooling: Memorizing intelligent system
	IonAir with DynamiCooling
	SuperCool
	Fan-assisted cooling in fridge




	CrispZone with HumidityControl
	FreshZone drawer
	FastFreeze
	CrispZone with VitaLight and SmatrHumidity
	LedLight
	MultiAdjust shelves

	XXL SpaceBox
	MultiBox
	MixBox
	Deep door bottle shelf
	Bottle holder




Integrated dishwashers



	16 place settings
	TouchControl
	Total AquaStop, total spill protection
	TotalDry – automatic door opening


	QuickIntensive programme
	SuperSilent
	AutoProgramme

	Extra-Hygiene
	Hot water connection
	Status LedLight

Integrated washing & drying machines

	Washer load 1-7 kg
	Dryer load 1-4 kg
	Spin speed 1400 rpm

	Spin speed 1200 rpm
	LED display

	CarboTech tub material
	StartDelay 24h in advance

FREE 5-YEAR PARTS AND LABOUR GUARANTEE

Once you make your purchase you will need to register your appliance either online or over the phone, to register your Gorenje appliance online please visit our website www.gorenje.co.uk and go to "registration" OR to register over the phone please call **020 8247 3980**

Gorenje offer a free 5 year parts and labour guarantee on selected built in ovens, hoods, built in cooling and selected freestanding cooling and washing products.

This guarantee shows our confidence in our technology and excellent product quality, all Gorenje appliances not covered by a 5 year guarantee get a free 2 year parts and labour guarantee.

AFTER SALES SUPPORT

Once you have bought a Gorenje appliance you can relax knowing that in unlikely event of a fault occurring, you can rely on us to look after your appliance. If you are experiencing problems and require customer support please contact our Service Hotline on:

0845 050 8555
(Republic of Ireland: 01 8835622)

Please have all your appliance details and date of purchase ready in order for your call to be dealt with efficiently.

Service Hotline opening times:

- Monday - Friday 8am - 6pm
- Saturday 9am - 4pm
- Sunday 11am - 3pm



INVERTER POWERDRIVE MOTOR

Gorenje SensoCare washing machines are built to last. With the innovative inverter PowerDrive technology you will get an extra 10-year warranty on the motor.

gorenje

GORENJE UK Ltd
Tuition House
27-37 St George's Road
London
SW19 4EU
T 020 8247 39 80
F 020 8247 39 99
E info.uk@gorenje.com
www.gorenje.co.uk